

GERMAN
POOL



德國寶



嵌入式蒸氣焗爐

SV-235



健康營養無油煙

Healthy, Nutritious & Oil-Free Cooking

即按即煮 毋須等候

Steam Food Instantly & Directly

不須明火 絕無輻射

No Flames & No Harmful Radiation

獨立易拆式水箱

Refillable Reservoir - No Piping Needed

標準嵌入式設計

Standard Built-In Dimensions

多元化煮食功能

Steaming, Defrosting & More...



BUILT-IN STEAM OVEN

GERMAN
POOL



德國寶

多功能圖像顯示屏幕
操作狀態一目了然

Digital Display Provides Useful
Information About Oven Status



溫度和時間隨意調校
Adjustable Temp. & Time Settings

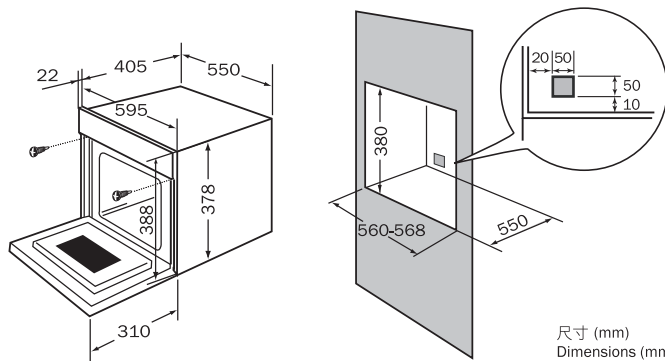
獨立響鬧計時器 簡單方便
Independent Alarm Clock
Simple & Convenient

多元化煮食功能
Multiple Functions

特設控制鎖 防止錯誤操作
Control Lock Prevents False Operations

智慧定時啟動及關機 烹調時間盡在掌握
Auto-Start & Timer Functions

嵌入式設計 與廚櫃融為一體 Space Saving Built-In Design



尺寸 (mm)
Dimensions (mm)

- 蒸氣烹調能保留食物原有的營養與鮮味，且毋須加入食油，是健康煮食的新趨勢
Steaming helps to retain food nutrients in a fat-free, healthy and natural way
- 蒸氣焗爐即按即煮，毋須苦候水滾，烹調變得更快更簡單
Steaming can start within seconds - no more waiting around for water to come to full boil
- 安全易用，不須使用明火，亦無輻射危險，家中大小成員都可操作輕鬆
With no open flame nor harmful radiation, it is a truly safe cooking appliance for all members in your family

高溫模式
Turbo Mode
適合：蔬菜、肉類
Suggested for: vegetables, meat

蒸煮：基本模式
Steaming: Normal Mode
適合：即食飯盒
Suggested for: frozen meal

低溫模式
Moderate Mode
適合：魚類
Suggested for: fish

融解模式
Melting / Softening Mode
適合：巧克力、牛油
Suggested for: chocolate, butter

保鮮模式
Light Mode
適合：魚類、蔬菜
Suggested for: fish, vegetables

除霜模式
Slow Defrost Mode
適合：急凍莓類
Suggested for: frozen berries

蒸煮：精細模式
Steaming: Delicate Mode
適合：蛋類、布甸
Suggested for: egg, pudding

解凍模式
Defrost Mode
適合：冰鮮肉類
Suggested for: frozen meat

- 內置獨立易拆式水箱供應蒸爐用清水，完全無須另駁水管，裝拆輕而易舉
Detachable reservoir supplies clean water to injection system - refilling is as easy as a breeze
- 多元化的煮食功能 — 蒸煮、翻熱、解凍、保溫，樣樣皆能
Numerous cooking applications such as steaming, reheating, defrosting, warm keeping, etc.
- 採用標準嵌入式尺寸，方便配合各類廚房電器同時組合安裝，與廚櫃融為一體
Sleek design and standard dimensions make this appliance fit well with most other appliances in any kitchens

規格 Specifications

型號 Model	SV-235	內部容量 Interior Capacity	23.5 L
電壓 Voltage	220 V / 50~60 Hz	機身尺寸 Dimensions	(H) 388 (W) 595 (D) 427 mm
功率 Power	1790 W	內部尺寸 Interior Dimensions	(H) 182 (W) 385 (D) 335 mm
電流 Electric Current	8.5 A	安裝尺寸 Installation Dimensions	(H) 380 (W) 560-568 (D) 550 mm
顏色 Colour	Silver & Black	淨重 Net Weight	20.5 kg

規格和設計如有變更，恕不另行通知。Specifications are subject to change without prior notice.

以上資料只供參考，有關實際烹調設定須視乎食物份量及個人口味而作出調整。Above information is for reference only. Actual settings for the appliance are subject to food portion and personal preference.

總代理：德國寶（香港）有限公司
GERMAN POOL (HONG KONG) LIMITED

總代理 / 廚櫃及電器陳列中心
Sole Agent & Showroom

九龍土瓜灣馬頭角道116號
新寶工商中心高層地下2-4號室
Room 2-4, Upper G/F, Newport Centre,
116 Ma Tau Kok Road, Tokwawan, Kln.
電器 Home Appliances: T. 2773 2888
廚櫃 Kitchen Cabinetry: T. 2773 2828
電郵 E-mail: info@germanpool.com

廚櫃及電器陳列中心
Showroom

香港灣仔摩利臣山道
22號地舖（南洋酒店對面）
Ground Floor, 22 Morrison Hill Road,
Wanchai, Hong Kong
廚櫃 Kitchen Cabinetry: T. 3110 2030
電郵 E-mail: info@germanpool.com



www.germanpool.com