

**GERMAN**  
POOL



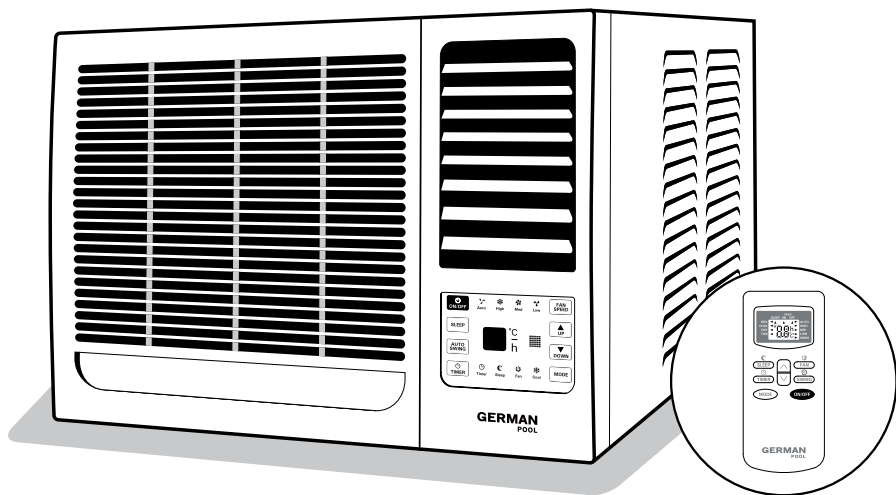
**德國寶**

## 遙控窗口式空調

Window Type Air Conditioner  
(W/Remote Control)

WAC-407R / WAC-409R

WAC-412R / WAC-418R



在使用之前請詳細閱讀「使用說明書」及「保用條款」，並妥為保存。

Please read these instructions and warranty information carefully before use and keep them handy for future reference.

使用說明書 USER MANUAL

# Table of Contents

---

Introduction	03
Operating Instructions	04
Electrical Specifications	11
Installation Instructions	12
Care and Maintenance	15
Troubleshooting Guide	16
Warranty Terms & Conditions	31

# Introduction

For remote control model

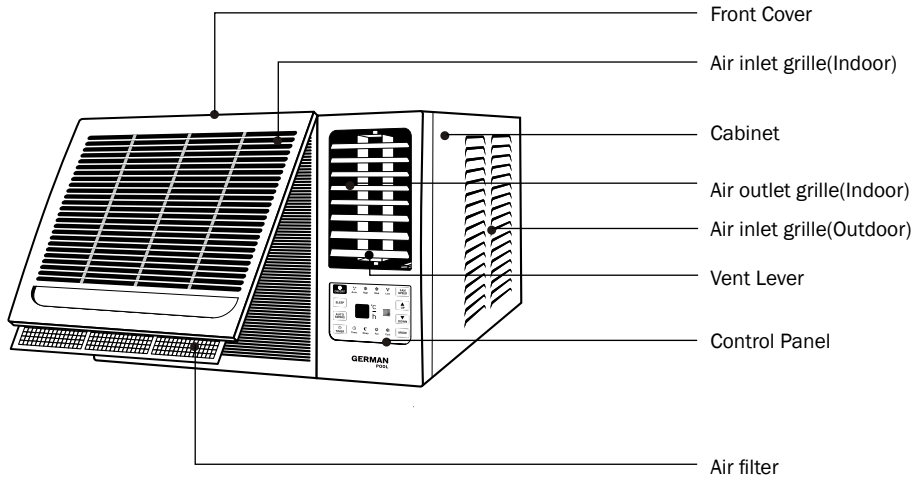
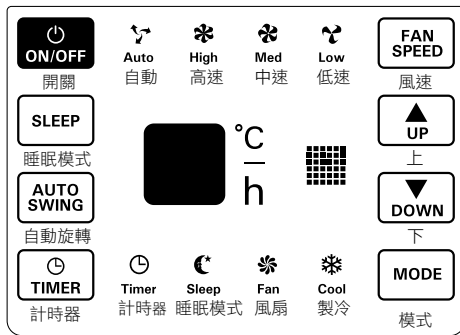
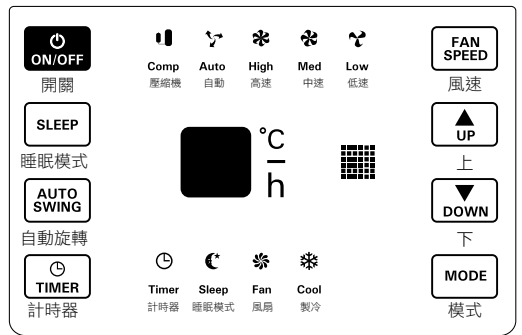


Fig.1-1

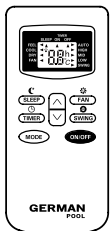
Control Panel



WAC-407R/WAC-409R/WAC-412R



WAC-418R

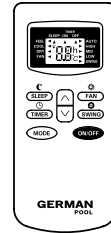
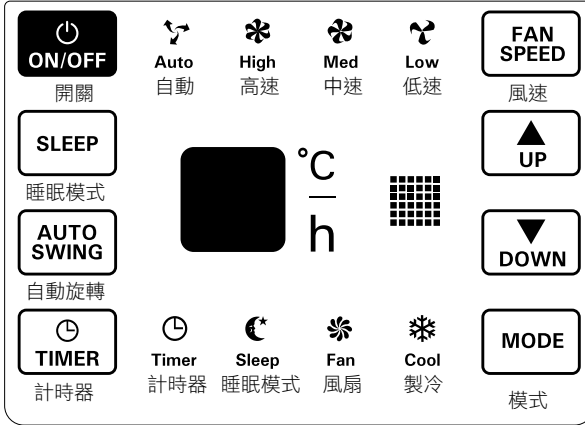


Remote Control

# Operating Introduction

## For remote control model

You can easily operate this air conditioner by pressing relevant button on the control panel as well as the remote control.



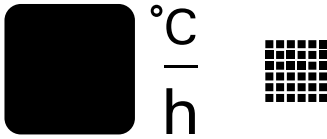
Remote Control

Control Panel

No.	Button/Indicator	Function
1		Used to adjust airflow direction.
2		<ul style="list-style-type: none"> <li>- Used to set or cancel timer operation.</li> <li>- When the unit is operating, you can set OFF TIMER. When the unit is off, you can set ON TIMER. Timer setting range is to 24 hours.</li> <li>- If the OFF TIMER is set, the timer LED displays the remaining time to turn off the unit for only 10 seconds, then LED shifts to display set temperature. If you press TIMER button within the 10 seconds, OFF TIMER will be canceled.</li> <li>- If the ON TIMER is set, the timer LED displays the remaining time to turn on the unit. If you want to cancel ON TIMER, press TIMER button.</li> </ul>
3		Everytime you press this button, the air conditioner will be started when it is energized or will be stopped when it is in operation.
4		Everytime you press this button, the operation mode is changed in sequence: COOLING-FAN ONLY-COOLING
5		Use to select fan speed in sequence auto, high, mid and low.
6	 	<p>This button used to set room temperature in COOLING mode or used to set time in TIMER mode. If the two keys are pressed at the same time last more than three seconds, the temperature LED display will alternate between °C and °F.</p> <p>NOTE: Temperature setting range is from 61°F (16°C) To 88°F (31°C).</p>
7		To activate the function "SLEEP".
8		Compressor indicator. Lights up when compressor is operating; the indicator switches off when the compressor is not working.

# Operating Introduction

Indication symbols of LED on control panel.



\*Above LED lights on when the relevant mode is in used.

No.	Button	Function
1		Timer
2		Cooling
3		Fan only(only Cooling Unit)
4		Sleep
5		Display set temp./Display set timer
6		Low fan speed
7		Mid fan speed
8		High fan speed
9		Auto fan speed

# Operating Instructions

---

## Remote control

The remote control transmits signals to the system.

No.	Button	Function
1	▲ (TEMP UP)	Increase the temperature or time by 1 unit.
2	▼ (TEMP DOWN)	Decrease the temperature or time by 1 unit.
3	ON/OFF	To switch the conditioner on and off.
4	FAN	To select the fan speed of auto/low/mid/high.
5	TIMER	To set automatic switching-on/off.
6	SLEEP	To activate the function "SLEEP "
7	MODE	To select the mode of operation.
8	SWING	To activate or deactivate of the movement of the"ELECTORS" .

⚠ The outlook and some function of remote control may vary according to the model.

⚠ The shape and position of buttons and indicators may vary according to the model, but their function is the same.

⚠ The unit confirms the correct reception of each press button with a beep.

# Operating Instructions

## “SWING ” CONTROL OF THE AIR FLOW

**[SWING]**

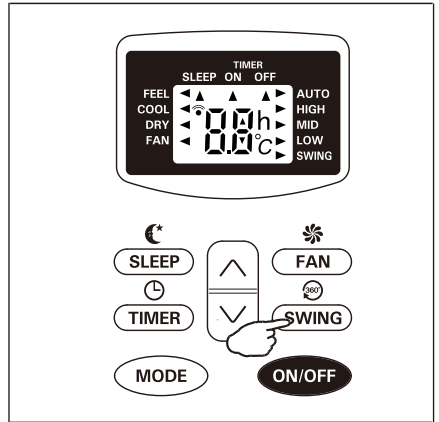
- The air outlet flow is uniformly distributed in the room.
- It is possible to position the direction of the air in the optimal solution.

The key **[SWING]** activates the “FLAP”, the air flow is directed alternatively from left to right. In order to guarantee an even diffusion of the air in the room.

- In cooling mode, orient the flaps in horizontal direction;

The deflectors are positioned manually and placed under the flaps. They allow to direct the air flow from up to down.

⚠ This adjustment must be done with the appliance switched off.



### Notes!

The horizontal Auto-Swing (left to right) is optional. It depends on the model.

### CAUTION!

Never position “Flaps” manually, the delicate mechanism activating them could be seriously damaged!

### DANGER!

Never insert your hand or objects in the air outlet of the units! These units contain a fan that turns at high speed.

## COOLING MODE

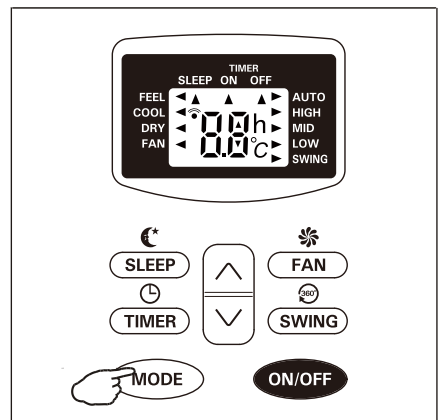
**[COOL]**

The cooling function allows the air conditioner to cool the room and at the same time reduces the humidity in the air.

To activate the cooling function (COOL), press the **[MODE]** button until the ▲ pointer points to COOL.

The cooling cycle is activated by setting the keys ▲ or ▼ at a temperature lower than that of the room.

To optimize the functioning of the conditioner, adjust the temperature, the speed and the direction of the air flow by pressing the keys indicated.



# Operating Instructions

## TIMER MODE—TIMER ON

**TIMER ON** To set the automatic switching-on of the air conditioner.

To program the time start, the appliance should be off. Press **TIMER**, set the temperature with pressing the key **▲** or **▼**. Press **TIMER** again, set the time with pressing the key **▲** or **▼**, press the key more times till on the display you can read the time which passes between the programming and the timed start.

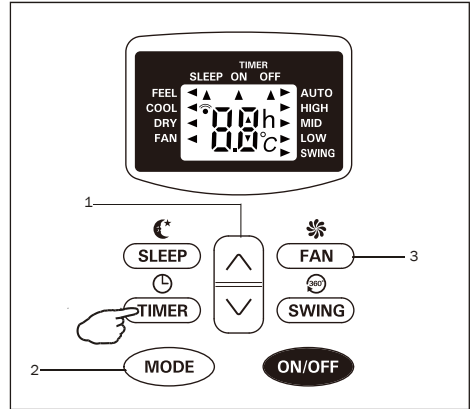
### IMPORTANT!

Before proceeding with the timed start : program the working mode with the key **MODE** (2) and the fan speed with the key **FAN** (3). Switch the conditioner off (with the key **ON/OFF**).

### Note

To cancel the setted function ,press the **TIMER** button again.

In case of power off,it is necessary to set **TIMER** ON again.



## TIMER MODE—TIMER OFF

**TIMER OFF** To set the automatic switching-off of the air conditioner

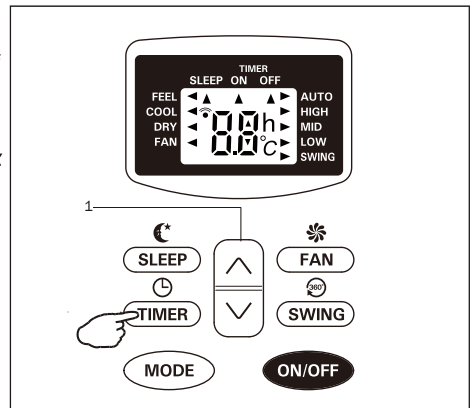
The timed stop is programmed with the appliance on. Press **TIMER**, set the time pressing the key **▲** or **▼**. Press the key more times till on the display you can read the time which passes between the programming and the timed stop.

### Note

To cancel the setted function, press the **TIMER** button again.

In case of power off,it is necessary to set **TIMER** OFF again.

While the time was right settled, the **TIMER** function of this remote(clock function) can set by half hours.





# Operating Instructions

## FAN MODE

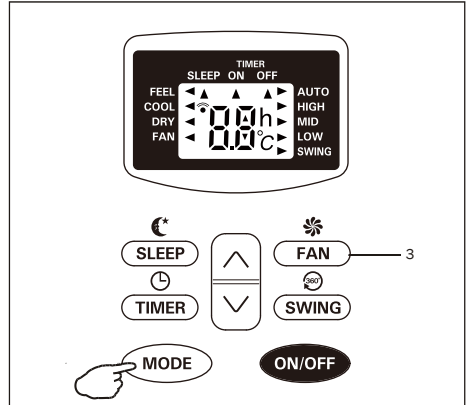
**FAN** The conditioner works in only ventilation.

To set the FAN mode , Press **MODE** until the ▲ pointer points to FAN .

Whith pressing **FAN** button the speed changes in the following sequence: LOW/ MEDIUM/HIGH in FAN mode.

The remote control also stores the speed that was set in the previous mode of operation.

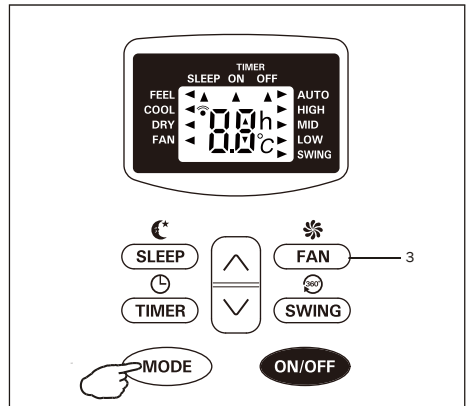
In FEEL mode (automatic) the air conditioner automatically chooses the fan speed and the mode of operation.



## DRY MODE

**DRY** This function reduces the humid-ity of the air to make the room more comfortable.

To set the DRY mode , Press **MODE** until the ▲ pointer points to DRY. An automatic function of alternating cooling cycles and air fan is activated.



# Operating Instructions

## FEEL MODE

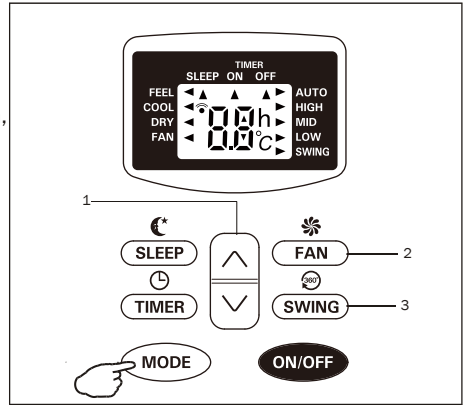
**FEEL** Automatic mode.

To activate the FEEL (automatic) mode of operation, press the **MODE** button on the remote control until the ▲ pointer points to FEEL.

In the FEEL mode the fan speed and the temperature are set automatically according to the room temperature (tested by the probe which is incorporated in the indoor unit) to ensure user comfort.

Ambient temp	Operation mode	Auto temp
< 20°C	FAN (FOR COOL ONLY TYPE)	23°C
20°C ~ 26°C	DRY	18°C
> 26°C	COOL	23°C

To optimize the working of the conditioner, adjust the temperature (only  $\pm 2^\circ\text{C}$ ) (1), the speed (2) and the direction of the air flow (3) by pressing the buttons indicated.

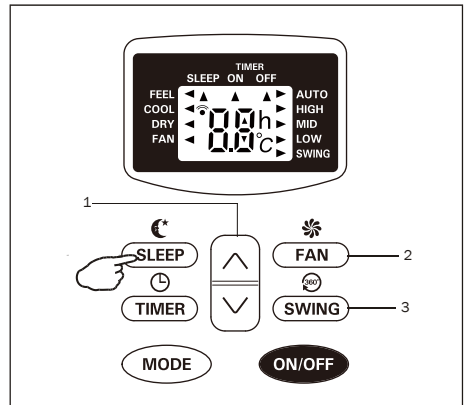


## SLEEP MODE

**SLEEP**

To activate the SLEEP mode of operation, press the **SLEEP** button on the remote control until the ▲ pointer points to SLEEP.

Use the Sleep mode during cooling condition. Temperature becomes ST-1 after an hour, ST-2 after another hour, and ST-3 after another hour. This temperature is maintained for the next two hours, after which the temperature becomes ST-2, and then ST-1 an hour after that. This temperature will be maintained throughout; the air conditioner does not switch off after 10 hours.



# Electrical Specifications

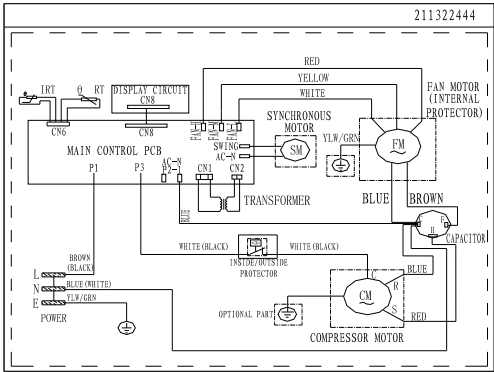
1. All wiring must comply with local and national electrical codes and must be installed by a qualified electrician. If you have any questions regarding the following instructions, contact a qualified electrician.
2. Check available power supply and resolve any wiring problems BEFORE installing and operating this unit.
3. For your safety and protection. This unit is grounded through the power cord when plugged into a matching wall outlet. If you are not sure whether your wall outlet is properly grounded, please consult a qualified electrician.
4. The rating plate on the unit contains electrical and other technical data. The rating plate is located on the right side of the unit. Make sure to use correct power supply according to the rating plate of your air conditioner.
5. The wiring diagram is as below.

**⚡ Electric Shock Hazard ⚠**

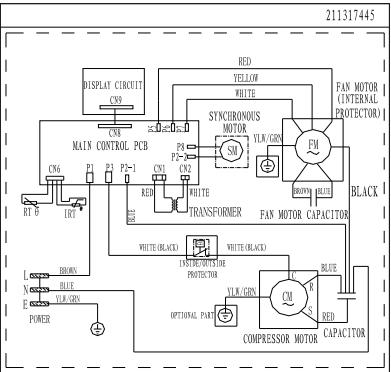
The air conditioner has a serial rating volts. It must have its own fuse or circuit breaker, and no other device or unit should be operated on the fuse or circuit breaker.

To avoid the possibility of person alinjry, disconnect power to the unit before installing or servicing.

RECEPTACLE AND FUSE TYPES	
RATED VOLTS	250V
AMPS	3.15



( 07K/09K/12K )



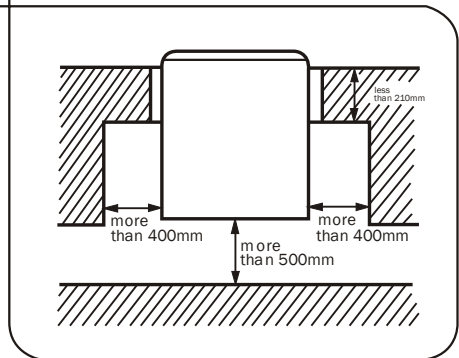
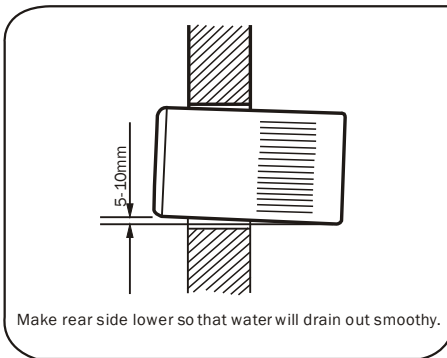
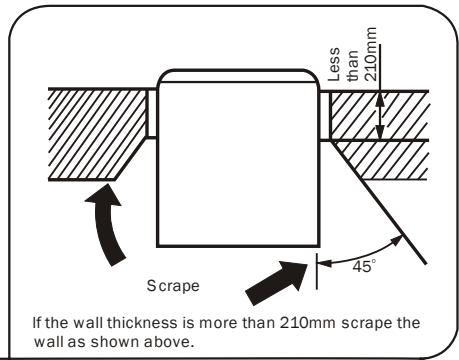
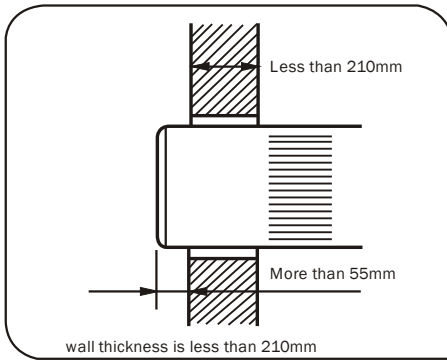
( 18K )

# Installation Instructions

Remove all the shipping parts before installation.

## LOCATION

- Select a location that can support the weight of the air conditioner and one that will not cause increased operation noise and vibration.
- Direct sunlight is unfavorable for efficient cooling.
- Select a place where there is no obstacles near the air inlet and outlet.



# Installation Instructions

---

## CAUTION

- The installation parts must be strong against corrosion, especially in case the air conditioner will be installed near the sea or hot spring.
- Do not install air conditioner in the place where inflammable gas leaks are a possibility.
- The minimum clearance from the appliance to combustible surfaces is 100mm. (Only for Electric heating )
- The range of external static pressures at which the appliance was tested is 0-5Pa.

## OPERATION

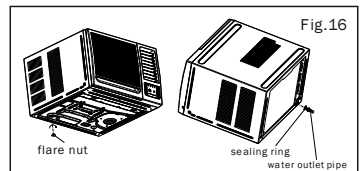
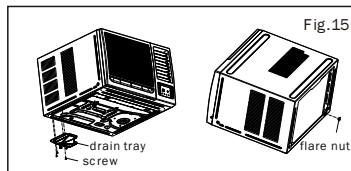
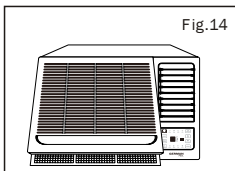
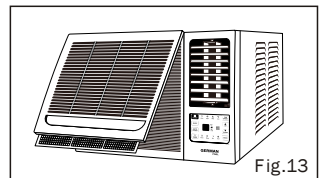
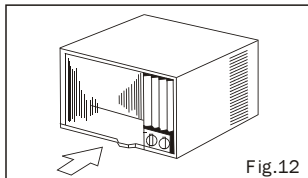
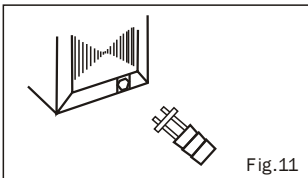
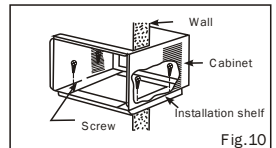
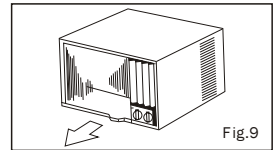
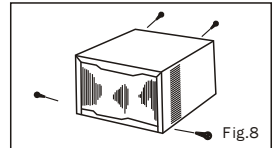
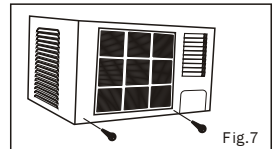
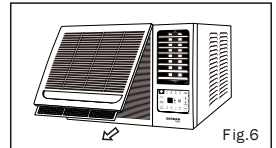
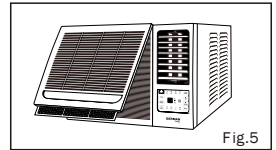
- Check the capacity of wiring and power outlet. The power outlet should be used exclusively for the air conditioner. Do not use it with other appliances.
- Ground the air conditioner to prevent danger of electric shock.
- Connect the air conditioner with power source securely.
- Use a fuse as below.

## CAUTION

- Before installation, turn off the operation switch and disconnect the power cord.
- This appliance is not intended for use by persons (including children) with reduced physical, sensory or mental capabilities, or lack of experience and knowledge, unless they have been given supervision or instruction concerning use of the appliance by a person responsible for their safety. Children should be supervised to ensure that they do not play with the appliance.
- The appliance is fitted with means for disconnection from the supply mains having a contact separation in all poles that provide full disconnection under overvoltage category III conditions, and these means must be incorporated in the fixed wiring in accordance with the wiring rules.

# Installation Instructions

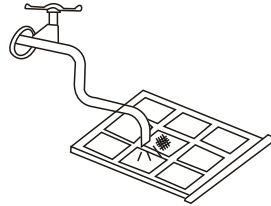
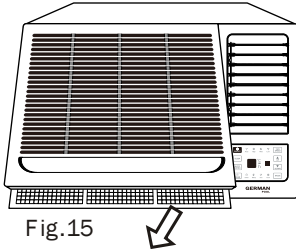
- 1) Remove the front panel. (Fig.5)  
 Remove the air filter. (Fig.6)  
 Remove screw at the bottom of the front panel. (Fig.7)  
 Open the panel cover.
- 2) Remove the screws fix the chassis-fixing board and cabinet.  
 Some models have two more screws on the back of the cabinet. (Fig.8)
- 3) Grasp the handle on the front of the chassis and carefully slide the air conditioner unit out of the cabinet. (Fig.9)
- 4) Install the drain tube connection into the hole provided at the rear of the air conditioner chassis.(Fig.11)  
 (If applicable)  
 To meet different requirement of different type of air conditioner, there are two kinds of methods for your choice to treat the condensed water. You can choose back drainage or bottom drainage.  
 Bottom drainage : the drain tray is fixed in position through four pcs of screws and use the flare nut to block the back drainage hole.(Fig.15)  
 Back drainage : using the flare nut to block the bottom drainage hole, and use water outlet pipe to connect the back drainage hole, pay attention to increase the sealing ring to prevent water leakage.(Fig.16)
- 5) Install the air conditioner cabinet on the installation shelf (not included) with screws.(Fig.10)
- 6) Carefully slide the unit back into the cabinet.(Fig.12)
- 7) Reinstall the retaining bracket, front panel and mounting screws.(Fig.8,7,13)
- 8) Reinstall the air filter.(Fig.14)



# Care and Maintenance

## AIR FILTER

- The air filter should be washed at least once a month. If the air filter remains full of dust, the air flow will decrease and the cooling capacity will be reduced.
- The filter is behind the cover and to be pulled out from right hand side.
- Wash the air filter with water and detergent.
- Rinse with clean water and dry it before reinstalling.

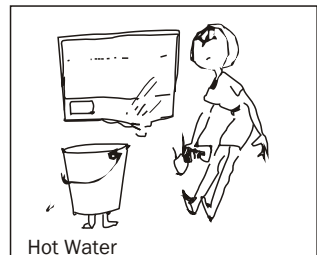


## CAUTION

- Do not use hot water above 40°C for washing the air filter.
- Let the filter dry thoroughly in the shade before reinstalling. Do not expose it directly on the sun.
- Do not operate the air conditioner with the filter removed.
- T1 condition: The ambient temperature for cooling: 18~43°C.  
T3 condition: The ambient temperature for cooling: 25~52°C.

## AIR CLEANING FILTER

- The air cleaning filter is attached to the air filter. Wash the air cleaning filter as well when wash air filter.



## FRONT COVER, ETC

- The front cover will accumulate dirt and dust. To clean it, wipe it with a soft dry cloth. When it is excessively dirty, wipe it with a soft cloth dampened with warm water or mild soap, then wipe it again thoroughly with a soft dry cloth.



# Troubleshooting Guide

---

- Never use hot water above 50°C, benzene, gasoline, acid, thinner or brush to wipe off dirt because they will damage the plastic surface and the coating.

## LONG OFF PERIOD MAINTENANCE

- Operate the fan alone ("LOW FAN" or "HIGH FAN") for half a day to dry out the inside of the unit.
- Turn off power and remove plug from wall socket.
- After a long off period and going to use the air conditioner again, clean the CONDENSER (at the rear) and EVAPORATOR (at the front) fins by using a soft brush or vacuum cleaner.

### CAUTION

- Be careful not to damage the fins during the cleaning.

## BEFORE ASKING FOR SERVICE

Check the following points before requesting for repairs or service. If the malfunction persists, please contact our customer service.

Faults	Cause
Does not operate	<ul style="list-style-type: none"><li>① Is the power off?</li><li>② Is the fuse blown?</li><li>③ Is the voltage extremely high or low?</li><li>④ Is the operation dial set to "off"?</li></ul>
Does not cool effectively	<ul style="list-style-type: none"><li>① Is the air filter remain full of dust or dirt? See air filter instructions on page 9.</li><li>② Does the sunlight shine directly on the unit?</li><li>③ Is the air flow on the rear side obstructed? Leave a space of 500mm behind the rear side of the air conditioner.</li><li>④ The doors or windows may be opened widely or if there are other sources of heat in the room?</li><li>⑤ The temperature dial is not set properly.</li><li>⑥ Is the ventilation damper open?</li></ul>



# 目錄

---

介紹 18

操作說明 19

電氣規格 25

安裝指南 26

清潔與保養 29

常見問題解決 30

保用條款 31

# 介紹

## 遙控式機型

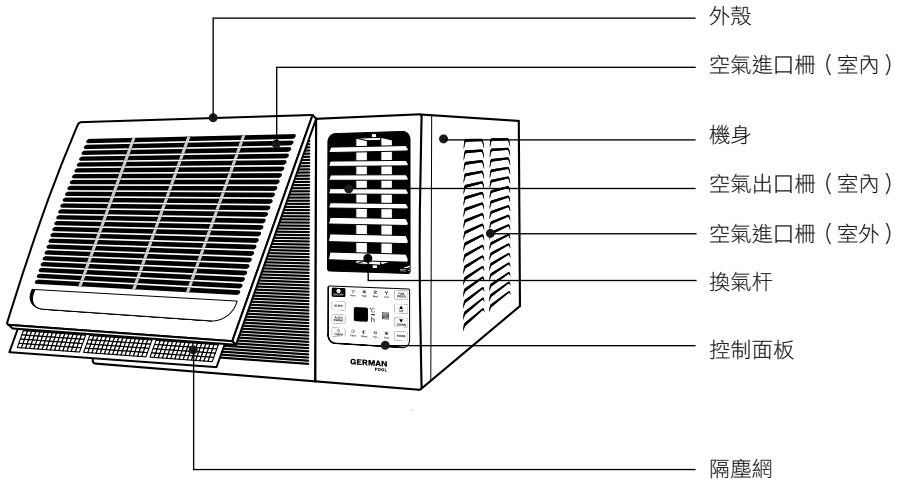
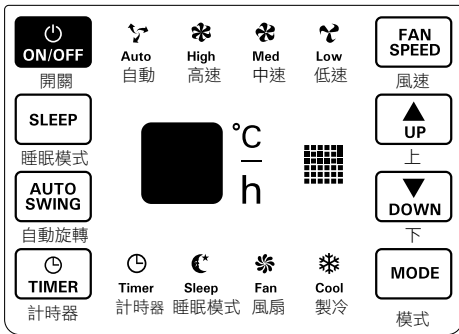
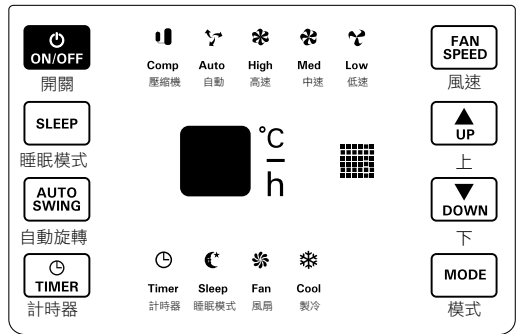


圖1-1

## 控制面



WAC-407R/WAC-409R/WAC-412R



WAC-418R

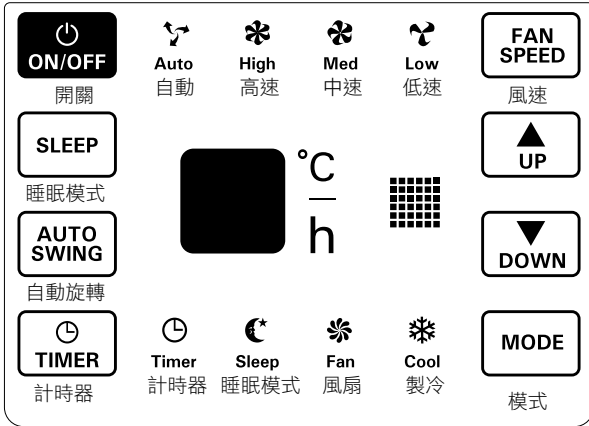


遙控器

# 操作說明

## 遙控式機型

您可通過按遙控器/控制面板上相應的功能鍵控制空調。

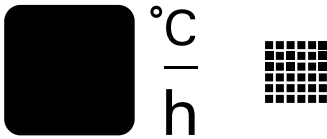


控制面板

序號	按鈕及指示燈	功能
1		用來控制吹風方向
2		-用來設置或取消計時操作。 -當空調開啟時，可以通過該按鈕設置定時關機，當空調處於關閉狀態下，可以通過該按鈕設置定時開機。設置時間範圍是0-24小時。 -如果設置了定時關機，顯示幕上會顯示剩餘的時間，持續大約10秒鐘。之後顯示幕會返回顯示設置溫度，如果在這10秒內按“計時器”按鈕，定時關機將被取消。 -如果設置了定時開機，顯示幕上會顯示剩餘的時間。如需取消定時開機，按“計時器”按鈕。
3		按此按鈕可開關空調。
4		按此按鈕時，空調的運行模式會按照“製冷-吹風-製冷”的順序轉換。
5		按此按鈕時，風速會按照“自動-高速-中速-低速”的順序轉換。
6	 	在製冷功能下設置溫度，或在計時情況下調整時間。如果同時按上下鍵超過3秒的時間，溫度單位會在華氏度°F和攝氏度°C之間轉換。 注意:溫度設置時間值在61°F (16°C) 至88°F (31°C) 之間。
7		啟動睡眠功能。
8		壓縮機運行指示燈，當壓縮機運行時，指示燈亮，壓縮機關閉時，停止運行。

# 操作說明

## 控制面板上的指示燈



\*當某程式工作時，相應的LED燈會變亮。

序號	按鈕	功能
1		計時器
2		製冷
3		吹風
4		睡眠
5		顯示設置時間/溫度
6		低風速
7		中風速
8		高風速
9		自動風速

## 遙控器

遙控器通過發送信號至系統，從而操作機器。

序號	按鈕	功能
1	增加鍵	升高溫度或增加時間
2	減少鍵	降低溫度或減少時間
3	開/關鍵	開/關空調
4	風扇	選擇風速：自動 高速 中速 低速
5	計時器	設置自動開/關機
6	睡眠	啟動睡眠功能
7	模式	選擇運行模式
8	旋轉	啟動或者關閉導流板

△ 遙控器的外觀及功能或會因機型不同有所差異。

△ 遙控器的按鍵和指示燈的形狀和位置會因機型不同有所差異。

△ 每次按遙控器上的按鈕，空調會發出蜂鳴聲確認。

# 操作說明

## 吹風擺動模式

**SWING**

- 出風口將風均勻吹散在房間裏。
- 可根據需要將風向調整以達到最佳效果。

按 **SWING** 啟動擺動功能，出風口即從左而右出風，保證出風均勻。

- 在製冷模式時，空調將葉片調整至水平位置。

可手動設置導流板的位置。出風口即從上而下出風。

⚠ 調整葉片時必須保持機器關閉狀態。

### 注意

- 某些特定的機型或不配備平行送風的功能。
- 切勿手動調整葉片，以免損毀啟動葉片的零件。

### 危險

切勿將手伸入出風口內，內有電機高速運轉。

## 製冷模式

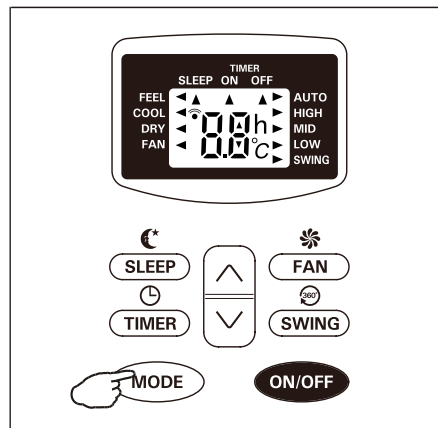
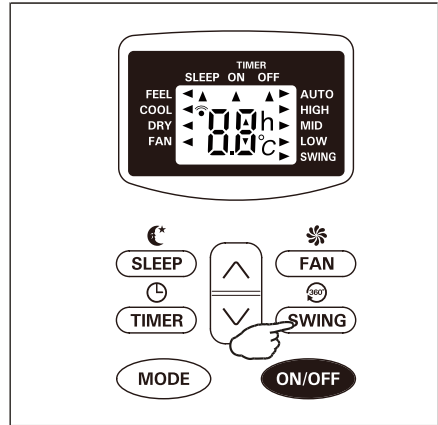
**COOL**

製冷功能用以室內的製冷及抽濕。

按 **MODE** (模式) 鍵選擇製冷功能，直到顯示幕上鍵頭指向COOL (製冷)。

通過按▲上、▼下選擇鍵，啟動製冷功能。選擇的溫度須比室溫低。

為了達到最佳的製冷效果，請根據指示鍵調節溫度，風速及風向。



# 操作說明

## 計時器模式—計時器開啟

**TIMER ON** 設置空調的自動開啟。

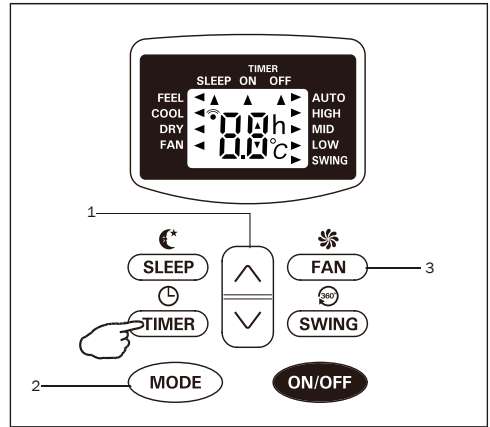
在設置自動開啟時，空調必須關閉。按 **TIMER** (計時器) 按鈕，通過 ▲ 上、▼ 下選擇鍵來設置時間，再次按 **TIMER** (計時器) 按鈕，通過按 ▲ 上、▼ 下選擇鍵來設定開機時間，直到顯示幕上顯示預計開機時間及程式。

### 重要

在運行自動開啟前，1) 按 **MODE** (模式) (2) 鍵選擇工作程式。2) 按 **FAN** (風扇) (3) 鍵選擇風速。3) 通過按 **ON/OFF** (開/關) 鍵關閉空調。

### 注意

- 若要取消設定的功能，請再次按 **TIMER** (計時器) 鍵。
- 若出現斷電，需要重新設定開機功能。



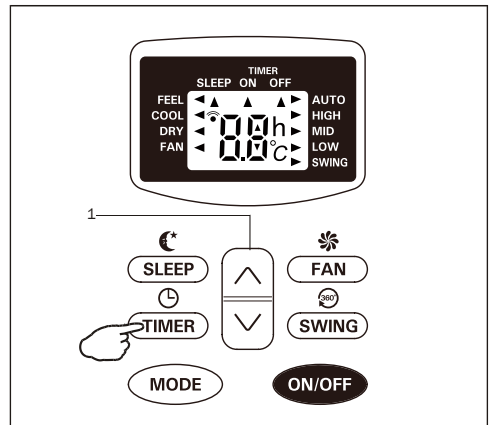
## 計時器模式—計時器關閉

**TIMER OFF** 設置空調的自動關閉

當空調正在運行時，才能設置自動關機。按 **TIMER** (計時器) 鍵，通過按 ▲ 上、▼ 下選擇鍵來設定關機時間，直到顯示幕上顯示所需的時間。

### 注意

- 若要取消設定的功能，請再次按 **TIMER** (計時器) 鍵。
- 若出現斷電，需要重新關閉計時功能。
- 當時間設定正確時，計時器可以以半小時為單位設定計時功能。



# 操作說明

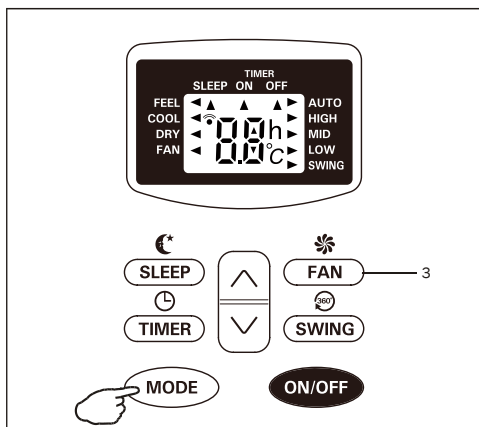
## 風扇模式

**FAN** 設定風扇模式，請按 **MODE** (模式) 鍵直至顯示幕上鍵頭指向FAN (風扇)。

按 **FAN** (風扇) 鍵時，風速會按照低速/中速/高速的順序調整。

遙控器同時也會自動儲存上次程式的風速。

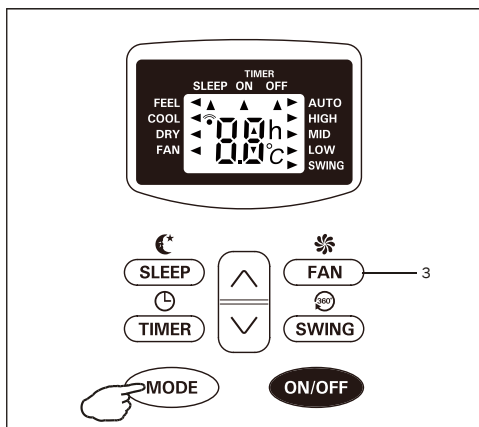
處于“FEEL (自動感應)”模式時空調會自動選擇風速以及程式。



## 抽濕模式

**DRY** 該功能用於乾燥室內濕氣。

設置抽濕模式時，按 **MODE** (模式) 鍵直到顯示幕上鍵頭指向DRY (抽濕)。變頻製冷及吹風功能將自動被啟動。



# 操作說明

## 自動感應模式

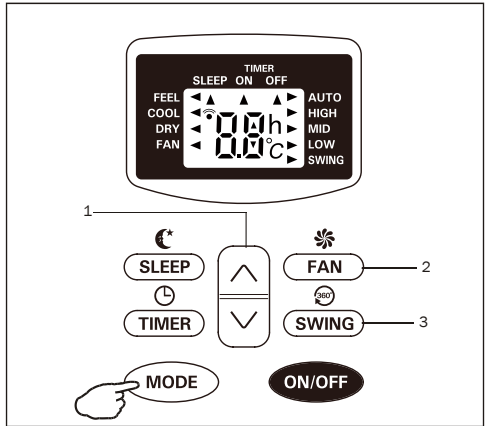
**FEEL** 自動感應模式

啟動自動感應模式時，請按遙控上的 **MODE** (模式) 鍵選擇，直至顯示幕上鍵頭指向FEEL (自動感應)。

在該模式下，空調的風速和溫度根據室溫 (在室內機件安裝了溫度探測器) 自動設置。

周圍溫度	操作模式	自動溫度
< 20°C	吹風 (淨冷型)	23°C
20°C~26°C	乾燥	18°C
> 26°C	製冷	23°C

為了使空調達到最佳工作狀態，請根據上表調整溫度 (整範圍最好為±2°C之間)(1)、風速 (2) 及風向 (3)。

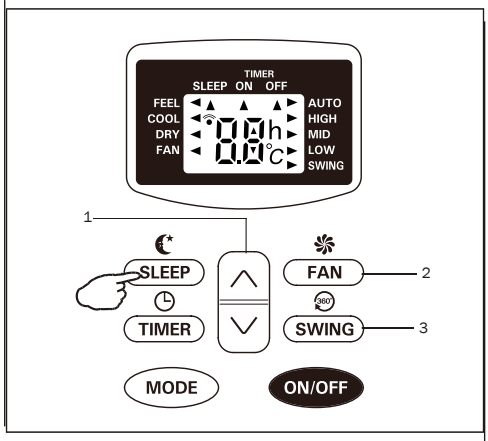


## 睡眠模式

**SLEEP**

按遙控上的 **SLEEP** (睡眠) 鍵啟動睡眠模式，直至顯示幕上鍵頭指向SLEEP。

在製冷狀態下進入睡眠模式，1小時後ST-1，再1小時後ST-2，再過1小時後設定溫度為ST-3，保持2小時不變，之後設定的溫度為ST-2，再1小時ST，此後保持不變，10小時後不自動關機。





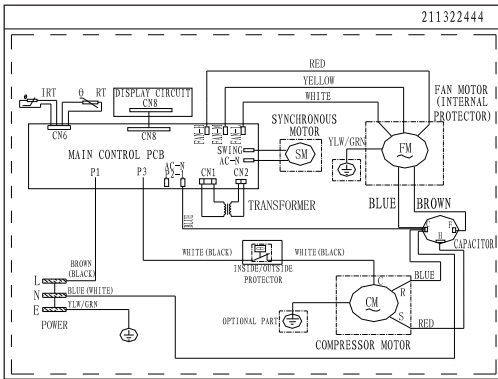
# 電氣規格

1. 所有的電線必須與當地和國家的電氣規範一致，且必須由專業人員安裝。如果對以下操作有不明白之處，請聯繫專業電工。
2. 在安裝和使用之前請檢查電源是否可用，解決好電源線問題。
3. 為了您的安全著想，空調的插頭已可靠接地。若不確定壁式插頭是否接地，請諮詢專業的電工。
4. 空調上的銘牌包含著電子及其他技術數值。銘牌貼在空調的右邊。請確認電源與銘牌上的一致。
5. 空調的電路圖如下。

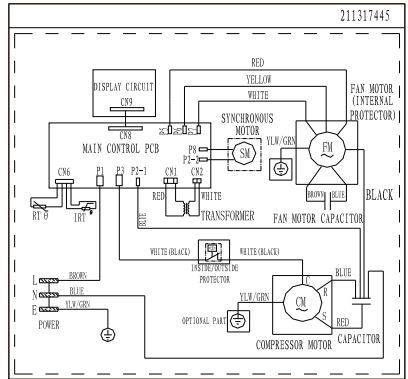
⚡
觸電警告
⚠

該空調有額定的功率，需配有特定的保險絲及斷路器。禁止其他設備使用該保險絲或斷路器。為了防止人身傷害，請在安裝前斷掉電源。

插座與保險絲類型	
保險絲額定電壓	250V
安培數	3.15



(07K/09K/12K)



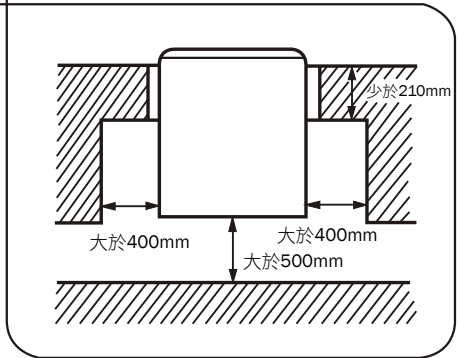
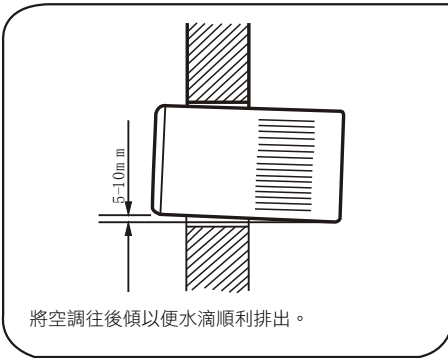
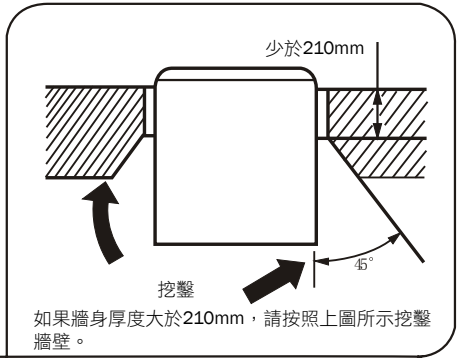
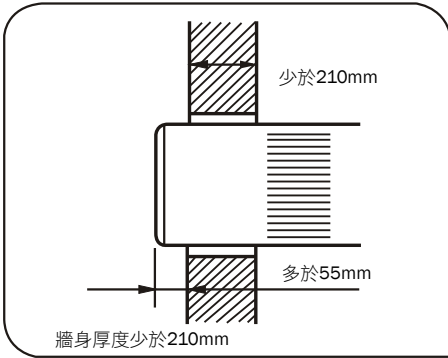
(18K)

# 安裝指南

在安裝之前移除所有的運輸件。

## 位置

- 選一個可以承載空調重量的位置，可以最大程度避免噪音和震動。
- 避免陽光直射，以免影響製冷效果。
- 選擇通風良好的位置。



# 安裝指南

---

## 注意

- 安裝部件須防銹，尤其是安裝在海邊或者潮濕的地方。
- 請勿把空調安裝在或會發生易燃氣體洩漏的地方。
- 空調允許靠近可燃物體的最小距離為100mm（只允許電力加熱）。
- 機外靜壓的範圍值為0-5帕。

## 操作

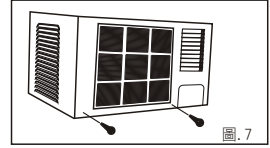
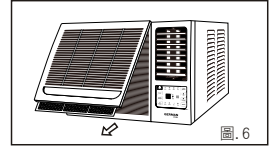
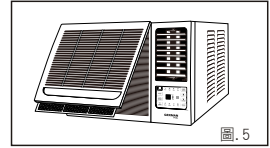
- 檢查電線及電源輸出的容量。電源輸出專門為空調設計所用，請勿用於其他設備。
- 須將空調可靠接地預防發生觸電事故。
- 將空調安全地接通電源。
- 如下所示使用保險絲。

## 注意

- 在安裝之前關閉開關，斷開電源。
- 該設備不適用於身體上，感官上或精神上有缺失的人士（包括兒童），或者缺乏知識、經驗的人士。除非他們在正確的監督和指導下才能使用。兒童禁止玩耍該設備。
- 空調在組裝時須與主電源隔離，每一相均用隔離觸點實現在三類過壓條件下的完全切斷，在固定接線中必須按接線規則加入此類措施。
- 本產品只供家居使用。

# 安裝指南

- 1) 移除前面的面板。(圖5)  
 移除隔塵網。(圖6)  
 移除前面面板底部的螺絲。(圖7)  
 揭開面板。
- 2) 將固定底盤和機身的螺絲移除。  
 某些型號或會在背板上多安裝2顆螺絲。(圖8)
- 3) 握住底盤前面的把手，然後小心地將空調滑出櫃身。
- 4) 把滴水導管安裝至空調後部的底盤上。(圖11)(如適用的話)



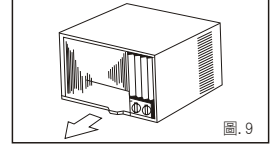
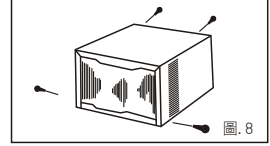
為了滿足不同型號空調的需求，這裏有兩種處理凝結水的方法。您可選擇後位排水或底部排水的方法。

底部排水方式：

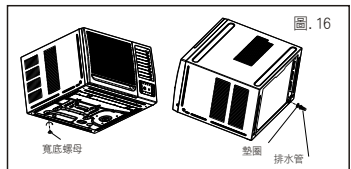
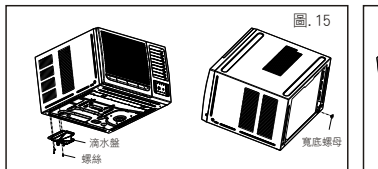
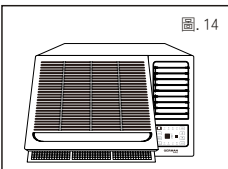
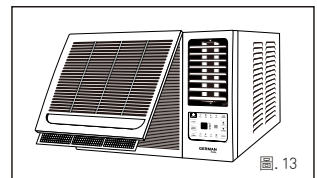
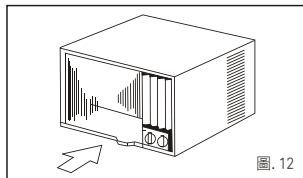
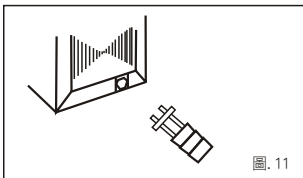
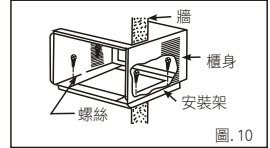
滴水盤用四顆螺絲固定住，用寬底螺母擋住後位排水孔。(圖15)

後位排水方式：

用寬底螺母擋住底部排水孔，用導管連接至後部排水孔，請注意需加高墊圈以防漏水。(圖16)



- 5) 用螺絲將空調控制機身安裝在安裝架(不包含)上。(圖10)
- 6) 小心將空調滑進櫃身。(圖12)
- 7) 重新安裝固定支架，前面板以及固定螺絲。(圖8, 7, 13)
- 8) 重新安裝過濾網。(圖14)



# 清潔與保養

## 隔塵網

- 隔塵網至少每一個月清潔一次。如果隔塵網積聚灰塵，會降低空調的製冷效率。
- 隔塵網安裝在面板後面，從右手邊拉出。
- 用清潔劑和水清洗隔塵網。
- 用乾淨的水沖洗，在重新安裝前請晾乾。

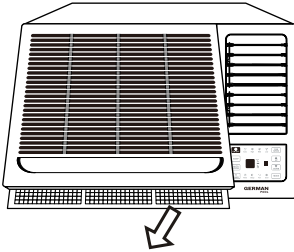


圖15

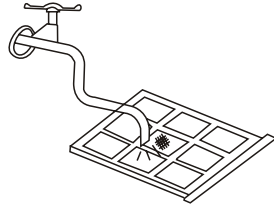


圖16

## 注意

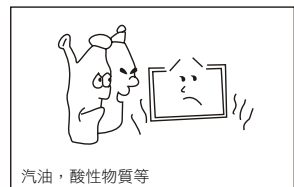
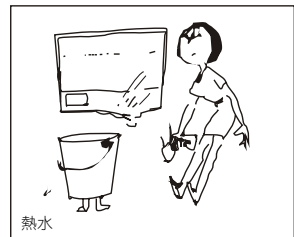
- 請不要使用超過40°C的水清洗隔塵網。
- 在重新裝上隔塵網前請把隔塵網放在陰涼處乾燥。不要直接放置在太陽下。
- 移除隔塵網的時候請勿運作空調。
- T1條件下：室溫環境下18-43°C製冷。
- T3條件下：室溫條件下25-52°C製冷。

## 空氣淨化網：

空氣淨化網附在隔塵網上。清洗隔塵網時請清洗空氣淨化網。

## 前面板等配件：

面板容易積塵聚污。請用柔軟的乾毛巾擦拭面板。當面板特別髒的時候，請先用軟布沾濕一點溫水或者溫和的肥皂水擦拭，再用乾的軟布擦乾。



# 常見問題解決

禁止用超過50°C的水、汽油、酸類物質、天拿水或刷子等清洗污跡。因這些溶劑會破壞機器表面的特性。

長時間關機的保養：

- 獨立運行吹風功能（低速或高速）半天時間，以便使機內乾燥。
- 關閉開關並將插頭拔出。
- 在長時間關機後如要使用重新使用空調，請用軟刷或吸塵器清潔製冷劑（後部）和蒸發器（前面）。

## 注意

在清潔期間小心損毀散熱片。

## 在請求幫助前

當需要售後服務時，請先檢查以下疑難解答方案。如果問題不能得到解決，請再聯繫售後維修。

故障	原因
機器不運行	<ol style="list-style-type: none"><li>1. 電源關閉了嗎？</li><li>2. 保險絲是否燒掉？</li><li>3. 電壓是否過高或過低？</li><li>4. 開關按鈕是否處於關閉狀態？</li></ol>
製冷效果差	<ol style="list-style-type: none"><li>1. 隔塵網是否積塵過多？是的話請查看第九頁的說明。</li><li>2. 是否有陽光直射到機器上？</li><li>3. 空調後部的空氣流通是否不暢？空調後部是否與牆身有500mm以上的距離？</li><li>4. 門窗是否處於開啟狀態？或室內有發熱源？</li><li>5. 空調是否調至製冷功能？</li><li>6. 通風擋板是否打開了？</li></ol>

請填妥以下空格並與發票一併保存，以便維修時核對資料。用戶提供本公司之所有資料必須正確無誤，否則免費保用將會無效。  
Please fill out the form below. This information and the purchase invoice will be required for any repairs. Warranty will be invalid if information provided is found to be inaccurate.

型號 Model No. :  WAC-407R  WAC-409R  WAC-412R  WAC-418R

機身號碼 Serial No. : \_\_\_\_\_ 發票號碼 Invoice No. : \_\_\_\_\_

購買商號 Purchased From : \_\_\_\_\_ 購買日期 Purchase Date : \_\_\_\_\_

## 保用條款

此保用提供德國寶產品之機件在正常使用下一年保用(自購買日起計算)。

## Warranty Terms & Conditions

Under normal operations, the product will receive a 1-year full warranty provided by German Pool (effective starting from the date of purchase).

\* 貴戶須在購機十天內，以下列其中一種方式向本公司登記資料，保用手續方正式生效：

- 1) 填妥本公司網頁內之保用登記表格  
[www.germanpool.com/warranty](http://www.germanpool.com/warranty)。
- 2) 填妥保用登記卡，並連同購機發票之副本一併郵寄到客戶服務部(本公司將不發還發票副本或登記卡)。

\* This warranty is not valid until Customer's registration information is returned to and received by our Service Centre within 10 days of purchase via one of the following methods:

- 1) Visit our website and register online:  
[www.germanpool.com/warranty](http://www.germanpool.com/warranty).
- 2) Complete all fields on the attached Warranty Card and mail it back to our Customer Service Centre along with a photocopy of the purchase invoice (Warranty Card and invoice copy will not be returned to Customer).

1. 未能出示購買發票正本者，將不獲免費維修服務。

2. 用戶應依照說明書的指示操作。本保用並不包括：
- 安裝、上門檢驗、更換零件之人工或運輸費用等；
  - 因天然與人為意外造成的損壞(包括運輸及其他)；
  - 任何塑膠附件及輔助裝置。
  - 電源接合不當、不依說明書而錯誤或疏忽使用本機所引致之損壞。

3. 於下列情況下，用戶之保用資格將被取消：

- 購買發票有任何非認可之刪改；
- 產品被用作商業或工業用途；
- 產品經非認可之技術人員改裝或加裝任何配件；
- 機身編號被撞自塗改、破壞或刪除。

4. 總代理有權選擇維修或更換配件或其損壞部份。

5. 產品一經被轉讓，其保用即被視作無效。

1. Customer who fails to present original purchase invoice will be disqualified for free warranty.

2. Customer should always follow the operating instructions. This warranty does not apply to:
- labour costs for installation, on-site check-up, replacement of parts and other transportation costs;
  - damages caused by accidents of any kind (including transport and others);
  - Plastic parts and accessories
  - operating failures resulted from incorrect voltage, improper operations and unauthorized installations or repairs.

3. This warranty is invalid if:

- purchase invoice is modified by unauthorized party;
- product is used for any commercial or industrial applications;
- product is repaired or modified by unauthorized personnel, or unauthorized parts are installed;
- serial number is modified, damaged or removed from the product.

4. German Pool will, in its discretion, repair or replace any defective part.

5. This warranty will be void if there is any transfer of ownership from the original purchaser.

## 客戶服務及維修中心

德國寶(香港)有限公司

香港九龍紅磡暢通道1號

中旅貨運物流中心8樓

電話：+852 2333 6249

傳真：+852 2356 9798

電郵：[repairs@germanpool.com](mailto:repairs@germanpool.com)

## Customer Service & Repair Centre

German Pool (Hong Kong) Limited

8/F, China Travel (Cargo) Logistics Centre

1 Cheong Tung Road

Hung Hom, Kowloon, Hong Kong

Tel : +852 2333 6249

Fax : +852 2356 9798

Email : [repairs@germanpool.com](mailto:repairs@germanpool.com)

此保用只適用於香港

This warranty is valid only in Hong Kong

**GERMAN  
POOL**



**德國寶**

## 德國寶(香港)有限公司 German Pool (Hong Kong) Limited

### 中國香港 Hong Kong, China

香港九龍土瓜灣馬頭角道116號  
新寶工商中心2期113號室  
Room 113, Newport Centre Phase II, 116 Ma Tau  
Kok Road, Tokwawan, Kowloon, Hong Kong.  
電話 Tel: +852 2773 2888  
傳真 Fax: +852 2765 8215

### 中國內地 Mainland China

廣東省佛山市順德區  
大良南國東路德順廣場三層  
3/F, Takshun Plaza, Nanguo East Road,  
Shunde, Foshan, Guangdong  
電話 Tel: +86 757 2980 8308  
傳真 Fax: +86 757 2980 8318

### 澳門 Macau, China

澳門宋玉生廣場263號中土  
大廈15樓1座  
Alameda Dr. Carlos D'Assumpcao No. 263,  
Edif. China Civil Plaza, 15 Andar, I. Macau  
電話 Tel: +853 2875 2699  
傳真 Fax: +853 2875 2661



香港名牌十年成就獎  
HONG KONG TOP BRAND TEN YEAR  
ACHIEVEMENT AWARD



香港卓越名牌  
HONG KONG  
PREMIER BRAND



2007  
CERTIFICATE AWARD FOR THE BEST BRAND ENTERPRISE  
年度最佳品牌企業



中小企業  
最佳拍檔大獎



© 版權所有。未獲德國寶授權，不得翻印、複製或使用本說明書作任何商業用途，違者必究。

© All rights reserved. Copying, reproducing or using the contents of this manual is not allowed without prior authorization from German Pool, violators will be prosecuted.

[www.germanpool.com](http://www.germanpool.com)