

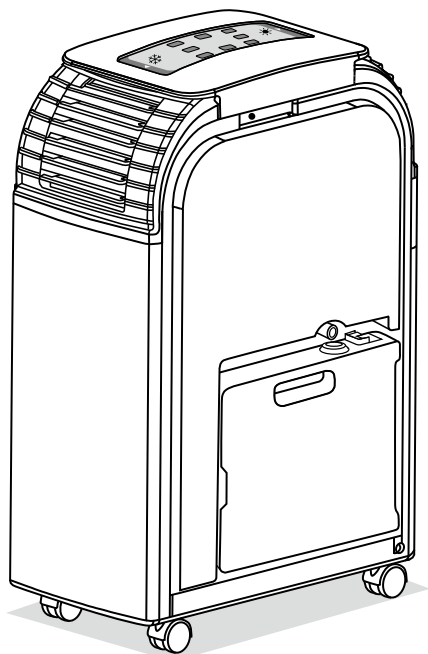
GERMAN
POOL



德國寶

移動座地式冷暖空調
Portable Reverse Cycle
Air Conditioner

PAC-10P
PAC-15P



在使用之前請詳細閱讀「使用說明書」及「保用條款」，並妥為保存。
Please read these instructions and warranty terms and conditions
carefully before use, and keep them handy for future reference.



使用說明書 USER MANUAL

請即進行保用登記!

有關保用條款細則，請看本說明書最後一頁。

Please register your warranty information now !

**For Warranty Terms & Conditions,
please refer to the last page of this user manual.**

目錄 Table of Contents

簡易操作指南 Quick Operating Guide 04

注意事項 Safety Guidelines 06

產品結構 Product Structure 08

安裝說明 Installation Instructions 09

操作說明 Operating Instructions 13

清潔與保養 Care & Maintenance 17

常見故障及處理 Troubleshooting 18

技術規格 Technical Specifications 18

保用條款 Warranty Terms & Conditions 19

冷氣暖氣的轉換 Switching between Cooling & Heating



冷氣 Cooling



確認排氣管及出風口位置正確。
Ensure exhaust pipe and air outlet are in correct positions.



按開關鍵 (⏻)。
Press Power button (⏻).



按模式鍵 (MODE) 選擇冷氣。
Press Mode button (MODE) to select Cooling.



可按溫度鍵 (+) 或 (-) 調校冷氣溫度。
Press TEMP (+) or (-) to adjust temperature.

簡易操作指南 Quick Operating Guide

暖氣 Heating



將排氣管與出風口蓋對調並蓋上。

Interchange the position of exhaust pipe and air outlet cover.



拔掉上排水口的橡皮塞，安裝排水管（PAC-15P用戶可用水箱排水）。

Pull out rubber cap at upper drain hole and connect a drain hose (PAC-15P users can use water tank for drainage).



按開關鍵 (⏻)。
Press Power button (⏻).



按模式鍵 (⏻) 選擇暖氣，請待4分鐘啟動暖氣。

Press Mode button (⏻) to select Heating. Wait 4 min for warm air.



可按溫度鍵 (+) 或 (-) 調校冷氣溫度。
Press TEMP (+) or (-) to adjust temperature.

獨立抽濕 Dehumidifying



拔掉上排水口的橡皮塞，安裝排水管（PAC-15P用戶可用水箱排水）。

Pull out rubber cap at upper drain hole and connect a drain hose (PAC-15P users can use water tank for drainage).



可取出排氣管。
Exhaust pipe can be removed.



按開關鍵 (⏻)。
Press Power button (⏻).



按模式鍵 (⏻) 選擇抽濕。
Press Mode button (⏻) to select Dehumidifying.

注意事項 Safety Guidelines

重要說明

為安全起見，初次使用產品前請先細閱本說明書，並保存說明書，以便作參考之用。

本產品只供家居使用。請必須依照本說明書內的指示安裝及操作。

1. 本機可作冷氣、暖風及抽濕之用，須保持環境乾爽，單獨使用時必須放置於室內；亦可配合專為本機而設的窗隔裝置（另購配件），將本機放置於室外，讓冷氣或暖風通過一個安裝了窗隔設置的窗口進入室內。
2. 本機應擺放於平坦的地面，並與牆壁或其他物件相距最少50厘米。將本機直立放好，讓壓縮器能正常運作。
3. 請於室內溫度17°C至35°C的環境中使用本機的冷氣功能；暖氣功能則需於室內溫度5°C至23°C的環境中使用。
4. 將本機遠離熱能及電源，避免陽光直射，並遠離水及其他液體。切勿將水或油灑於本機之上。
5. 切勿將汽油或其他易燃及腐蝕性物質放置於本機附近。切勿在本機上使用噴劑（如殺蟲劑及噴漆）或其他易燃物品，否則會令膠料變形甚或損壞機件。
6. 建議使用原裝排氣管或不長於1.5米的排氣管，排氣管過長會影響產品的效能。
7. 關機後需等待4分鐘後方可重新啟動本機，以免壓縮機損壞。切換冷/暖氣時，亦需先等待4分鐘。
8. 拔除插頭前請先關掉本機。拔除插頭或移動本機時，切勿用力拉電源線。

Important

For safety purposes, you should read the instructions carefully before using the appliance for the first time. Save for future reference.

The appliance is designed for domestic use and may only be installed and operated in accordance with these instructions.

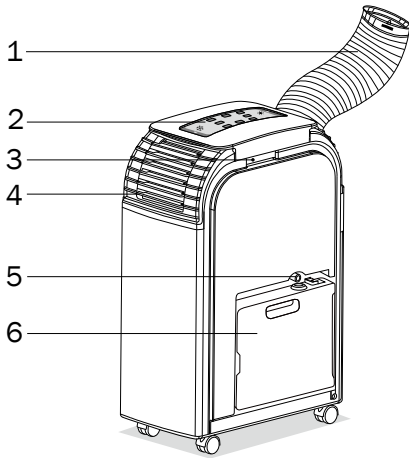
1. This unit is used for cooling, heating and dehumidifying and should be placed indoors in a dry environment, with the exception of the window kit exclusive for this PAC series. With the window kit installed you may place the air conditioner outdoors while cool air or hot air is blown in via an opening in the window.
2. Place the unit on flat ground, and keep a distance of at least 50cm between the machine and the wall or other objects. Keep the machine upright so that the compressor can work properly.
3. For cooling, operate this unit at an ambient temperature of 17 - 35°C. For heating, operate it at an ambient temperature of 5 - 23°C.
4. Keep the machine away from heat sources, power supply and direct sunlight. Also keep it away from water and other liquids. Do not spatter water or oil onto the unit.
5. Do not operate the machine near gasoline or any other flammable or corrosive substances. Do not apply spraying agents (such as pesticides or paint) or flammable substances onto the unit. Otherwise, plastic deformation or electrical damage of the machine may occur.
6. It is recommended to use the originally supplied exhaust pipe or an exhaust pipe no longer than 1.5 m. If the exhaust pipe is too long, it may affect the unit's operation.
7. When the unit is shut off, wait at least 4 minutes before restarting. This is to prevent the compressor from being damaged. Users also need to wait 4 minutes when changing between cooling and heating modes.
8. Turn off the machine before pulling out the plug. Do not tug the power cord when removing the plug from a power source or moving the machine.

注意事項 Safety Guidelines

9. 清潔、更換部件及維修前必須拔除插頭，長時間不使用時亦須拔除插頭。
10. 注意保持過濾網清潔，讓本機可以達到最大的送風效能。
11. 確保插座位於方便觸及的位置。
12. 切勿於入或出風口插入硬物。
13. 切勿阻塞入風口及出風口。
14. 本產品並不適宜讓兒童、身體或心智殘障、缺乏經驗或知識的人士操作，除非該人士得到負責保障其安全的人士的監管或指引。
15. 切勿在沒有任何人看管的情況下開著本機，以免發生意外。即使沒人看管一段短時間，亦須關掉本機。
16. 如遙控器電池出現損壞時，須將電池取出並換新。
17. 本機只適合連接至電阻抗不多於0.219Ω的電源，如有需要請向有關方面查詢電阻抗資料。
18. 如電源線、插頭或機身損壞，切勿繼續使用本機，必須由本公司維修部或合資格技術人員更換或維修。切勿自行或由不合資格人士維修本機，以免發生危險。
19. 本機運轉需要至少10安培的電力，為了室內電力的正常運行，請使用專用插座，並且不要使用延長線。
20. 只可使用本公司提供之配件，以免發生危險及機身損壞。
21. 電壓與頻率應與本機之技術規格相符。
9. Always unplug the machine before cleaning, part-replacement and repair, or when leaving unused for a long time.
10. Clean air filter periodically for efficient cooling.
11. Make sure the socket can be easily reached.
12. Do not insert hard objects into air grille.
13. Do not block the air inlet or outlet.
14. The appliance is not intended for use by persons (including children) with reduced physical, sensory or mental capabilities, or any individual lack of experience and knowledge, unless they have been given supervision or instruction by a person responsible for their safety. Children should be supervised to ensure that they do not play with the appliance.
15. In order to avoid accidents, do not leave the machine unattended during operation. Turn off the unit if left unattended for a short while.
16. Remove faulty or damaged batteries from the remote control immediately and dispose of properly.
17. The appliance can only be connected to a supply with system impedance of no more than 0.219Ω. Please consult your supply authority for system impedance information if necessary.
18. If the power cord, plug or machine is damaged, do not use the machine. Contact our Repair Centre or a qualified technician for repair. Do not attempt to repair the machine yourself. Any attempt at repair by non-professional persons may result in danger. German Pool takes no responsibility for any damage that may result as a consequence of unqualified repair.
19. The appliance needs at least 10 Amps of electricity for its compressor to operate. To ensure regular household electricity supply, use a separate plug and do not use any extension cord for this unit.
20. Only use supplied accessories, otherwise danger and damage to the machine may occur.
21. Power voltage and frequency should comply with the main technical parameter requirements of the machine.

產品結構 Product Structure

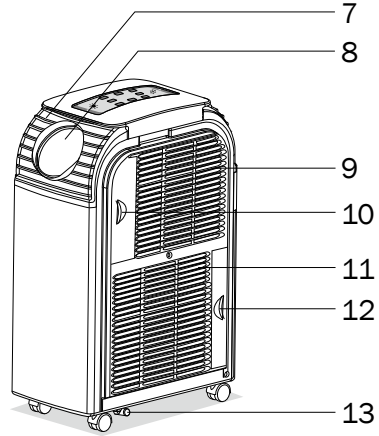
主機 Body



- 1
- 2
- 3
- 4
- 5
- 6

- 1. 排氣管
- 2. 控制面板
- 3. 電線接駁口
(以連接窗隔裝置)
- 4. 冷氣出風口
(可上下調校風向)
- 5. 上排水口
- 6. 水箱 (PAC-15P適用)

- 1. Exhaust Pipe
- 2. Control Panel
- 3. Cable Connecting Plug
(For connecting to the window kit)
- 4. Cold Air Outlet
(Adjustable)
- 5. Upper Drain Hole
- 6. Water Tank (For PAC-15P)

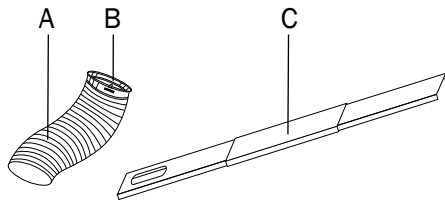


- 7
- 8
- 9
- 10
- 11
- 12
- 13

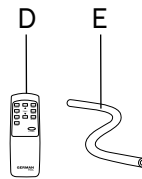
- 7. 排氣管蓋
- 8. 暖氣出風口及
排氣管收藏格
- 9. 冷氣入口
- 10. 冷氣過濾網
- 11. 暖氣入口
- 12. 暖氣過濾網
- 13. 下排水口

- 7. Exhaust Pipe Cover
- 8. Hot Air Outlet &
Storage Compartment
- 9. Cold Air Inlet
- 10. Cold Air Filter
- 11. Hot Air Inlet
- 12. Hot Air Filter
- 13. Lower Drain Hole

配件 Accessories

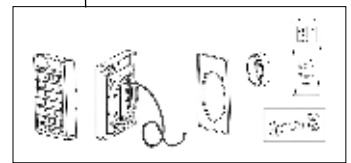


- A. 排氣管
- B. 接合器 (接合排氣管與密封板)
- C. 窗口密封板



- D. 遙控器 (包括2顆AAA電池)
- E. 排水管

窗隔裝置 (需另購)
Window Kit
(To be purchased separately)



- F. 窗隔裝置 (需另購)

安裝說明 Installation Instructions

A. 打開包裝

1. 打開包裝盒前，將主機直立放好。
2. 解開包裝帶。
3. 將紙箱向上取出。
4. 抓緊主機的兩側，輕輕從發泡膠底托取出。
5. 將放置於機內的排氣管鬆開並取出。
6. 冷氣機運作之前要安裝排氣管。

B. 使用環境

- 確保本機在操作過程中不被任何物體阻礙。
- 切勿將本機放於陽光底下，以免機身過熱而關閉。
- 由於本機會排出熱氣，切勿將本機放置於狹窄的地方。
- 為安全起見及避免漏電，切勿將本機放置於潮濕的地方。
- 為免機身褪色，切勿將本機放置於被陽光直射的角落。

註：

本機配備過熱關機保護裝置，以保障安全。

A. Unpacking

1. Place the unit in the correct upright position before unpacking.
2. Cut the two packing straps.
3. Slide the carton upwards to release from the base.
4. Grip the handles located on both sides of the unit and carefully lift until it slides out of the foam base.
5. Disconnect the tie-in inside the exhaust pipe and take out the exhaust pipe.
6. Install the exhaust pipe before operating the unit.

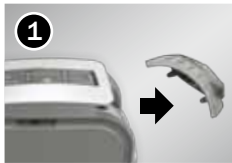
B. Operating Environment

- Ensure the unit is not placed against objects which will obstruct air intake, e.g. furniture or curtains.
- Do not place the unit in direct sunlight, as this may cause the unit to overheat and turn off.
- Do not operate in a narrow place, since the appliance will expel hot air.
- Do not operate in a humid environment, in order to prevent power leakage.
- Do not place the appliance in a sunlit corner, in order to prevent color fading.

Note:

The unit is fitted with a thermal cut-off device for safety protection.

C. 安裝排氣管 Installation of Exhaust Pipe



取出排氣管蓋。
Remove exhaust pipe cover.



將接合器向左呈45度，用力拉出排氣管。
Turn pipe connector towards the left side until it reaches 45°. Then pull out exhaust pipe.



將排氣管底部拉長。
Stretch one end of exhaust pipe.



對準排氣管蓋圓形凹位，順時針方向擰入排氣管。
Circumrotate exhaust pipe in clockwise direction to attach it into the circular cavity of exhaust pipe cover.



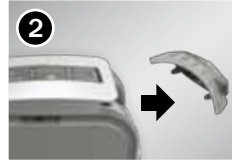
重新裝上排氣管蓋（連排氣管）。
Secure the exhaust pipe cover together with the pipe.

安裝說明 Installation Instructions

D. 收藏排氣管 Storage of Exhaust Pipe



將排氣管逆時針方向擰出。
Circumrotate exhaust pipe in anti-clockwise direction to pull it out.



取出排氣管蓋。
Remove exhaust pipe cover.



將排氣管末端微微屈曲，對準暖氣出風口插入收藏格內。
Bend one end of exhaust pipe and place inside storage compartment towards hot air outlet.



將接合器向左呈45度，再壓縮排氣管收藏好。
Turn pipe connector towards the left side until it reaches 45°. Press it down for storage.

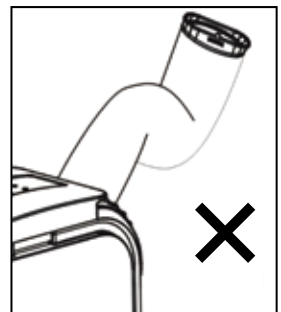
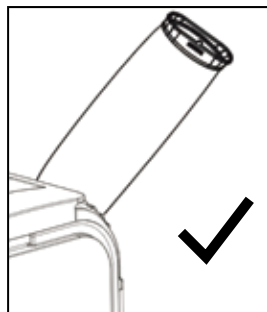
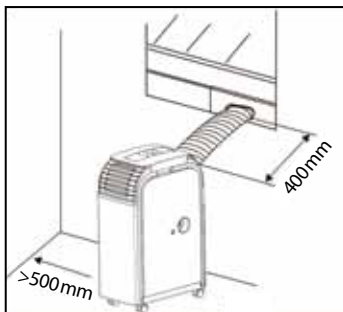


關上排氣管蓋。
Secure exhaust pipe cover.

E. 放置

為確保本機之冷暖風送風效果理想，建議依從以下各點：

- 將排氣管展開至不多於40厘米。
- 確保排氣管呈水平狀，避免將之扭曲。
- 確保過濾網一面與牆壁或其他物件相距最少50厘米。



E. Placement

The following steps are recommended for effective heating and cooling functions:

- Extend the exhaust pipe to a length of not more than 40 cm.
- The exhaust pipe must be kept level. Do not bend it upwards or downwards.
- Keep a distance of at least 50 cm between the filtered side and any surrounding objects.

安裝說明 Installation Instructions

F. 電源

- 確保插頭並無損壞，並檢查電壓是否正確。
- 將插頭插入插座，並開啟插座開關，然後按本機之“開關”鍵。
- 拔除插頭或移動本機時，切勿用力拉電源線。為了預防漏電危險，請避免電源線受損。

F. Power Supply

- Make sure the plug is not damaged. Check if the voltage is correct.
- Insert plug into the socket. Turn on the socket switch and then press “POWER” to run the machine.
- Do not tug on the power cord when pulling out the plug or moving the machine. In order to prevent electrical leakage, avoid scarring the cord.

G. 使用暖風時改變排氣管安裝方向

使用暖風功能前，按圖Fig.G1及Fig.G2箭頭方向所示，將出風口蓋及排氣管連蓋分別拆出。然後互換及安裝，完成圖如Fig.G3所示。

G. Change of Exhaust Pipe Installation for Heating

Before using the heating function, disassemble the air outlet cover and the exhaust pipe with cover according to arrow directions (Fig. G1 & G2). Then, exchange the two assemblies and install. The finished illustration is shown in Fig.G3.

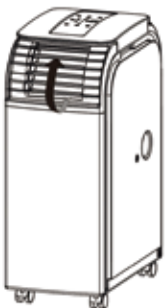


Fig. G1

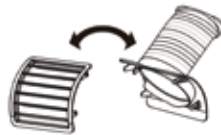


Fig. G2

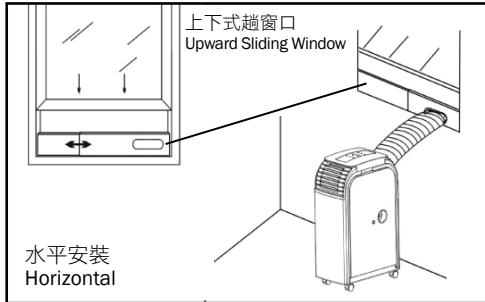


Fig. G3

安裝說明 Installation Instructions

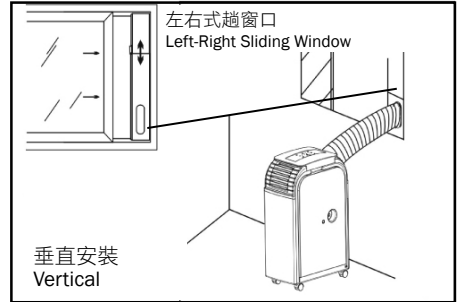
H. 安裝窗口密封板(按需要選用)

- 將接合器安裝於窗口密封板上。窗口開口闊度應與密封板配合。
- 用螺絲釘通過小孔固定所需長度，密封板度可伸延至約1.5 m。



H. Installation of Window Sealplate (Optional)

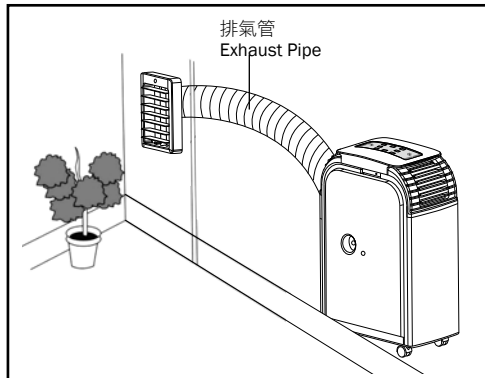
- Put pipe connector into window sealplate. Adjust window opening width, so that the sealplate matches the window properly.
- Secure the sealplate with nails via small holes. The length of the sealplate can be extended to about 1.5 m.



I. 窗隔裝置(另購配件)

如選擇將移動空調放置於室外，可於窗口安裝窗隔裝置(安裝及使用說明詳見於“窗隔裝置使用說明書”)，這樣冷氣(或暖氣)可通過裝了窗隔設置的窗口進入室內，室內冷氣或暖氣效果更佳，並可將噪音隔離於室外。

基本安裝要求：
需於窗口開一個直徑190毫米的圓孔(註：
窗隔裝置尺寸為(H)240毫米 x (W)205毫米 x (D)58毫米)。



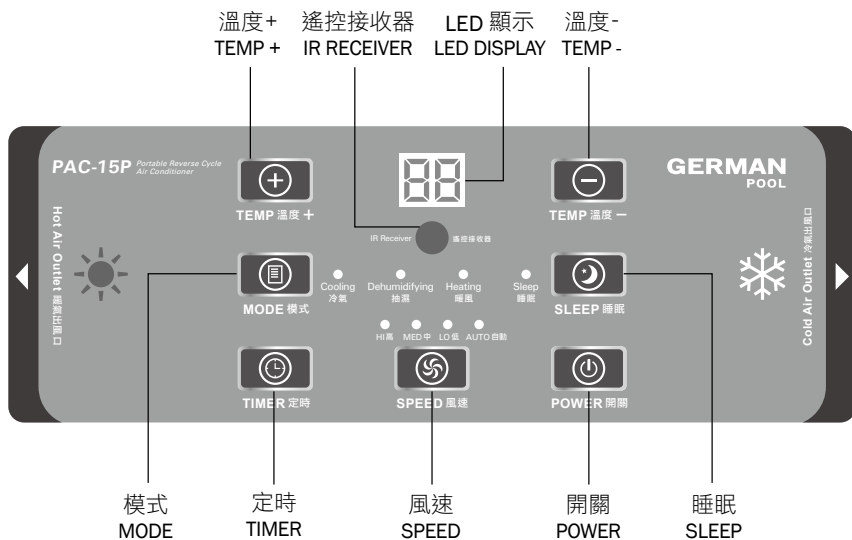
I. Window Kit (To be purchased separately)

You may choose to place the air conditioner outdoors by installing the window kit (please refer to the window kit's operating instructions for installation and operating methods). In this way, the cool air (or hot air) is blown indoors via the window kit on the window, while the unused air and the noise is kept outdoors.

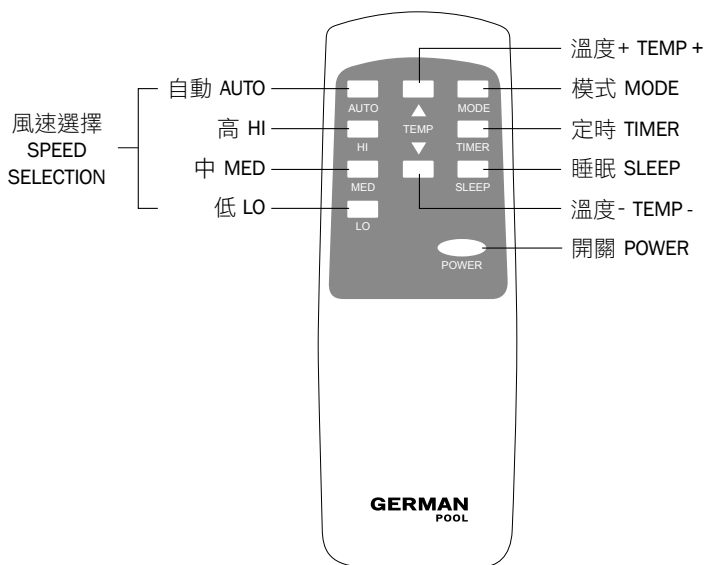
Basic Installation Requirement:
You need to cut a circular hole with a diameter of 190mm in the window (note: the dimensions of the window kit is (H)240mm x (W)205mm x (D)58mm).

操作說明 Operating Instructions

操作面板 Control Panel



遙控器 Remote Control



操作說明 Operating Instructions

A. 面板及按鍵說明



開關

按此鍵開啟或關閉本機。



模式

按此鍵轉換模式，模式選擇：冷氣、獨立抽濕、暖風及睡眠。

註：

- 使用暖氣及獨立抽濕時需排水（請參看“排水方法”）。
- 切換冷氣與暖氣時，需先等待4分鐘。
- 當環境溫度低至5°C，本機會自動除霜，顯示屏會顯示“DF”二字並會關機。自動除霜完成後，可重新開機。



溫度

每按一次“溫度+”，設定溫度提高1°C。
每按一次“溫度-”，設定溫度降低1°C。

註：

冷氣可調校溫度範圍：17°C-30°C。
暖風可調校溫度範圍：15°C-25°C。

LED 顯示

顯示屏顯示所設溫度或時間。如設定時間後，顯示屏將顯示所設溫度。

A. Control Panel & Press Buttons



POWER

Press to turn unit “ON” or “OFF”.



MODE

Press to select from the following modes:
Cooling, Dehumidifying, Heating and Sleep.

Note:

- Water drainage is needed for Heating and Dehumidifying (Please see “Water Drainage” section).
- Users need to wait 4 minutes when changing between cooling and heating modes.
- When the ambient temperature reaches 5°C, the auto-defrost function starts, the wording “DF” will be shown on the display and the appliance will shut off. When the function ends, the appliance can be restarted.



TEMP

Press “Temp +” to raise temperature by 1°C with each press.

Press “Temp -” to lower temperature by 1°C with each press.

Note:

Adjustment range for Cooling mode: 17°C - 30°C.
Adjustment range for Heating mode: 15°C - 25°C.

LED DISPLAY

The display indicates the temperature or the time setting. When the time is set, the display will return to the preset temperature.

操作說明 Operating Instructions

風速

- 按此鍵選擇風速：高 **HI**、中 **MED**、低 **LO**、自動 **AUTO**。
- 如在使用冷氣模式時選擇自動 **AUTO**，本機會按當前設定之溫度與室內溫度的差值，自動選擇高、中及低其中一種速度運轉。

註：

使用暖氣和獨立抽濕功能時，風速設定無效。暖氣模式已預設為高速；抽濕模式已預設為低速。

SPEED


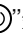
- Press to select fan speed: High, Medium, Low or Auto.
- If "**AUTO**" is selected under Cooling mode, "**HI**" or "**MED**" or "**LO**" will be selected automatically according to the difference between set temperature and room temperature.

Note:



Under Heating and Dehumidifying modes, the fan speed is not adjustable. For Heating mode, the default speed is high. For Dehumidifying mode, the default speed is low.

定時


調校定時開機時間：

1. 於待機狀態，按“定時 **TIMER** ”鍵可預設開機時間（1 - 24小時）。
2. 到達設定時間時，會自動開機。
3. 如在預定時間到達前按“開關 **POWER** ”鍵，預設時間會自動取消，本機會啟動。

調校定時關機時間：

1. 於開機狀態，按“定時 **TIMER** ”鍵可預設關機時間（1 - 24小時）。
2. 到達設定時間時，會自動關機。
3. 如在預定時間到達前按“開關 **POWER** ”鍵，預設時間會自動取消，本機會關閉。

睡眠


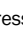
- 按“睡眠 **SLEEP** ”鍵進入睡眠狀態，預設值是低風速。
- 於「冷氣」模式：選擇「睡眠」狀態，設定溫度會於1小時後上升1°C，再於第2個小時上升1°C，然後溫度保持不變。
- 於「暖風」模式：選擇「睡眠」狀態，設定溫度會於1小時後下降1°C，再於第2個小時下降1°C，隨後溫度保持不變。
- 獨立抽濕模式運作期間，不能啟動睡眠模式。

註：


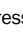
關機後，請待最少4分鐘後才再次啟動，以確保壓縮機壽命。

TIMER


Pre-set power-on time:

1. Press the "**TIMER** " key at stand-by status to set the desired power-on time (1 - 24 hr).
2. Once the set time has come the unit will turn on automatically.
3. If the "**POWER** " key is pressed before the time is up, the timer setting will be cancelled and the unit will be turned on.

Pre-set power-off time:

1. Press the "**TIMER** " key to set the desired power-off time (1 - 24 hr).
2. Once the set time has come the unit will turn off automatically.
3. If the "**POWER** " key is pressed before the time is up, the timer setting will be cancelled and the unit will be turned off.

SLEEP

- Press "**SLEEP** " to select Sleep function. Default fan speed is low.
- **Under Cooling mode:** When Sleep function is chosen, the temperature will raise 1°C from the set temperature after 1 hour, and raise a further 1°C after another hour, and then remain the same.
- **Under Heating mode:** When Sleep function is chosen, the temperature will drop 1°C from the set temperature after 1 hour, and drop a further 1°C after another hour, and then remain the same.
- Sleep function cannot be selected under Dehumidifying mode.

Note:

Wait at least 4 minutes after shut down to restart the machine in order to protect the compressor.

操作說明 Operating Instructions

B. 排水方法

註：

- 操作時請確保以橡皮塞封住下排水口，除非顯示屏顯示“E4”。
- 使用冷氣時如遇機內水滿，顯示屏會顯示“E4”，本機暫停運作。此時，需要拔掉下排水口的橡皮塞將水排走，方可重新啟動本機。
- PAC-15P型號用戶注意，不論使用冷氣、暖風或獨立抽濕模式或使用排水管時，都要確保水箱已放置於本機側面，否則本機不會運作。

冷氣模式時：

請確保以水塞封住上排水口。

注意：產品於高濕度的潮濕環境下操作有機會需要排水。

暖風或獨立抽濕模式時：

1. 拔掉上排水口的橡皮塞(如圖1)。
2. 排水。

方法一 (適用於PAC-10P及PAC-15P)：

於上排水口安裝排水管(如圖2)作連續排水用。

方法二 (只適用於PAC-15P)：

透過水箱收集排出的水。

- 當水箱滿水時，本機會暫停運作，顯示屏會顯示“E4”，此時需清空水箱。
- 清空水箱方法：握著水箱凹槽把手，小心地拉出水箱(如圖3)，然後倒水。完成後將水箱放回機身側面內凹入位置。

B. Water Drainage

Note:

- Make sure the rubber cap is locked onto the lower drain hole when the unit is running, except when “E4” is shown on the display.
- Under Cooling mode, “E4” will be shown on the display if water builds up inside the unit. When this happens, remove the rubber cap from the lower drain hole to drain water. The unit can then be restarted.
- Note to PAC-15P users: The water tank must always be attached to the unit when under cooling, heating or dehumidifying mode or when drainage hose is attached. Otherwise, the unit will not operate.

Under Cooling Mode:

Please make sure the rubber cap is locked onto the upper drain hole when the unit is running.

Note: Product may need drainage in highly humid environment.

Under Heating or Dehumidifying Mode:

1. Pull out the rubber cap (see fig. 1) on upper drain hole.
2. Drain water.

Method 1 (for PAC-10P and PAC-15P):

Connect a proper drain hose (see fig. 2) to upper drain hole for continuous drainage.

Method 2 (for PAC-15P only):

Collect drained water via water tank.

- When water tank is full, dehumidifier will stop automatically and “E4” will be displayed on the LED display screen. Water should be poured out, in order to resume operation.
- To pour out water: Hold handle of water tank and carefully pull out water tank (see fig. 3). Pour out water. Return water tank to its original position.



清潔與保養 Care & Maintenance

警告

為免觸電，在清潔與維修前必須關掉本機，並拔除電源插頭。

Caution

In order to avoid electric shocks, please turn off the power and unplug the unit before cleaning or repair.

機身

- 清潔前先拔除電源插頭。
- 用軟身半乾布清潔機身，切勿使用化學劑(如苯、酒精及汽油)，否則有可能損壞本機表面甚至內部。
- 切勿將水灑於本機之上。

Unit Body

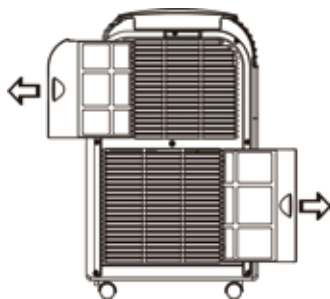
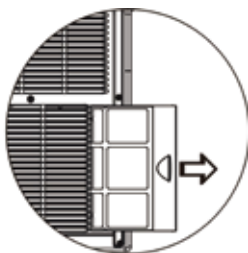
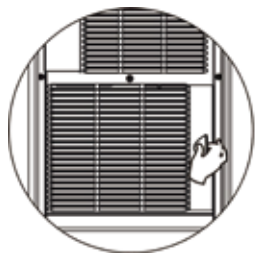
- Unplug the unit before cleaning.
- Use a soft semi-dry cloth to clean the machine. Do not use chemical agents, such as benzene, alcohol or gasoline. Otherwise, the machine surface or even the machine itself will be damaged.
- Do not spatter water onto the machine.

過濾網

過濾網設於本機的左邊，可直接從機身拉出(如下圖)，然後拿去沖洗。

Filter

The air filter located on the left hand side of the unit can be taken out for cleaning. Simply pull the frames sideways following the arrow directions (fig. below).



註：

切勿在沒有裝上過濾網的情況下使用本機。

Note:

Do not run the machine without filters.

濾網格

用濕布抹淨，並用軟布擦拭。

Filter Cabinet

Wipe with a damp cloth and polish with a soft cloth.

冷凝器及蒸發器

可使用吸塵器的毛刷來清潔。

Condenser & Evaporator

Clean with the brush attached to a vacuum cleaner.

常見故障及處理 Troubleshooting

使用中如發現本機操作上有問題，請依照下表進行檢查。

When you run into any problems operating this product, use the table below to troubleshoot the problems.

故障代碼 Error Code	故障說明 Cause	處理方法 Solution
E1	溫度感應器及電路板發生短路。 Electrical of both temperature sensor and PCB.	聯絡技術人員進行維修。 Contact an electrician for repair.
E2	溫度感應器銅線及電路板線路發生短路。 Electrical of temperature sensor copper tube and PCB wiring.	聯絡技術人員進行維修。 Contact an electrician for repair.
E4	水箱已滿或插頭線路錯誤。 Water tank is full or possibly the wiring of plug is incorrect.	拔掉下排水口的橡皮塞將水排走。檢查插頭線路是否正確。如使用PAC-15P，檢查水箱是否放在機身原位。 Pull out the rubber cap located at the lower drain hole to drain the water away. Check that the plug has been wired connected properly. For PAC-15P users, check if water tank is placed at the original position of the unit.

注意：如問題持續發生，請關機及拔除電源插頭，並送回本公司維修。

Note: If the problem persists or other abnormal situations occur, turn off the machine and pull out the plug. Then contact our Repair Centre for help.

技術規格 Technical Specifications

型號 Model	PAC-10P	PAC-15P
電壓/頻率 Voltage / Frequency	220 - 240 V / 50 Hz	220 - 240 V / 50 Hz
製冷能力 Cooling Capacity in BTU	9,000 BTU / hr	14,000 BTU / hr
製暖能力 Heating Capacity in BTU	9,000 BTU / hr	14,000 BTU / hr
匹數 Cooling Capacity in HP	1 匹 HP	1½ 匹 HP
電流 Current	5 A	7.73 A
空氣流量 Airflow Volume	360 m³ / h	450 m³ / h
排氣管長度 Length of Exhaust Pipe	1.5 m	1.5 m
淨重 Net Weight	22.0 kg	32.0 kg
機身尺寸 Dimensions	(H) 630 (W) 300 (D) 480 mm	(H) 778 (W) 300 (D) 505 mm

產品規格及設計如有變更，恕不另行通知。

Specifications are subject to change without prior notice.

中英文版本如有出入，一概以中文版為準。

If there is any inconsistency or ambiguity between the English version and the Chinese version, the Chinese version shall prevail.

本產品使用說明書以 www.germanpool.com 網上版為最新版本。

Refer to www.germanpool.com for the most up-to-date version of the Operating Instructions.

請填妥以下空格並與發票一併保存，以便維修時核對資料。用戶提供本公司之所有資料必須正確無誤，否則免費保用將會無效。
Please fill out the form below. This information and the purchase invoice will be required for any repairs. Warranty will be invalid if information provided is found to be inaccurate.

型號 Model No. : PAC-10P PAC-15P

機身號碼 Serial No. : _____ 發票號碼 Invoice No. : _____

購買商號 Purchased From : _____ 購買日期 Purchase Date : _____

保用條款

此保用提供德國寶產品之機件在正常使用下三年全機零件及五年壓縮機保用(自購買日起計算)。

* 貴戶須在購機十天內，以下列其中一種方式向本公司登記資料，保用手續方正式生效：

- 1) 填妥本公司網頁內之保用登記表格 www.germanpool.com/warranty。
- 2) 填妥保用登記卡，並連同購機發票之副本一併郵寄到客戶服務部 (本公司將不發還發票副本或登記卡)。

1. 未能出示購買發票正本者，將不獲免費維修服務。
2. 用戶應依照說明書的指示操作。本保用並不包括：
 - 安裝、上門檢驗、更換零件之人工或運輸費用等；
 - 因天然與人為意外造成的損壞 (包括運輸及其他)；
 - 電源接合不當、不依說明書而錯誤或疏忽使用本機所引致之損壞。
3. 於下列情況下，用戶之保用資格將被取消：
 - 購買發票有任何非認可之刪改；
 - 產品被用作商業或工業用途；
 - 產品經非認可之技術人員改裝或加裝任何配件；
 - 機身編號被擅自塗改、破壞或刪除。
4. 總代理有權選擇維修或更換配件或其損壞部份。
5. 產品一經被轉讓，其保用即被視作無效。

客戶服務部

德國寶(香港)有限公司
香港九龍土瓜灣馬頭角道116號
新寶工商中心高層地下2-4室
電話 : +852 2333 6249
傳真 : +852 2356 9798
電郵 : repairs@germanpool.com

Warranty Terms & Conditions

Under normal operations, the product will receive a 3-year parts replacement warranty & 5-year compressor warranty provided by German Pool (effective starting from the date of purchase).

* This warranty is not valid until Customer's registration information is returned to and received by our Service Centre within 10 days of purchase via one of the following methods:

- 1) Visit our website and register online: www.germanpool.com/warranty.
- 2) Complete all fields on the attached Warranty Card and mail it back to our Customer Service Centre along with a photocopy of the purchase invoice (Warranty Card and invoice copy will not be returned to Customer).

1. Customer who fails to present original purchase invoice will be disqualified for free warranty.
2. Customer should always follow the operating instructions. This warranty does not apply to:
 - labour costs for installation, on-site check-up, replacement of parts and other transportation costs;
 - damages caused by accidents of any kind (including transport and others);
 - operating failures resulted from incorrect voltage, improper operations and unauthorized installations or repairs.
3. This warranty is invalid if:
 - purchase invoice is modified by unauthorized party;
 - product is used for any commercial or industrial applications;
 - product is repaired or modified by unauthorized personnel, or unauthorized parts are installed;
 - serial number is modified, damaged or removed from the product.
4. German Pool will, in its discretion, repair or replace any defective part.
5. This warranty will be void if there is any transfer of ownership from the original purchaser.

Customer Service Centre

German Pool (Hong Kong) Limited
Room 2-4, Upper G/F, Newport Centre,
116 Ma Tau Kok Road,
Tokwanan, Kowloon, Hong Kong
Tel : +852 2333 6249
Fax : +852 2356 9798
Email : repairs@germanpool.com

GERMAN
POOL  **德國寶**

德國寶(香港)有限公司 German Pool (Hong Kong) Limited

中國香港 Hong Kong, China

香港九龍土瓜灣馬頭角道116號
新寶工商中心2期113號室
Room 113, Newport Centre Phase II,
116 Ma Tau Kok Road, Tokwanan,
Kowloon, Hong Kong

電話 Tel: +852 2773 2888
傳真 Fax: +852 2765 8215

中國內地 Mainland China

廣東省佛山市順德區大良南國東路
德順廣場三層
3/F, Takshun Plaza, Nanguo East
Road, Shunde, Foshan, Guangdong

電話 Tel: +86 757 2980 8308
傳真 Fax: +86 757 2980 8318

中國澳門 Macau, China

澳門宋玉生廣場263號
中土大廈15樓1座
Alameda Dr. Carlos D'Assumpcao
No. 263, Edif. China Civil Plaza, 15
Andar, I, Macau

電話 Tel: +853 2875 2699
傳真 Fax: +853 2875 2661



© 版權所有。未獲德國寶授權，不得翻印、複製或使用本說明書作任何商業用途，違者必究。

© All rights reserved. Copying, reproducing or using the contents of this manual is not allowed without prior authorization from German Pool, violators will be prosecuted.

www.germanpool.com